

# COBRA NF 0750/0950 A

Dry screw vacuum pump



VACUUM SOLUTIONS



## High performance for vacuum packaging

Specially designed for vacuum packaging, optimized for fast packaging cycles, advanced screw design, best-in-class pumping speed

## Easy cleaning

The only dry screw vacuum pump series designed for daily wash-down in vacuum packaging, can be cleaned using steam jets and conventional detergents, smooth surface design, no dead water zones, no additional enclosure required

## Efficient

Variable speed drive, minimal maintenance, long service intervals, efficient water cooling, low cost of ownership

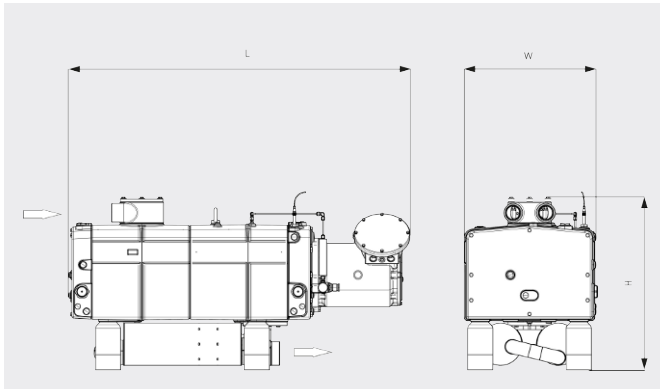
# COBRA NF 0750/0950 A

Dry screw vacuum pump



VACUUM SOLUTIONS

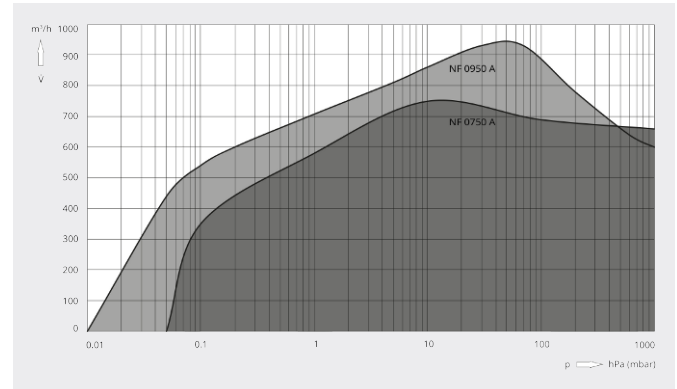
Dimensional drawing



Pumping speed

Air at 20°C. Tolerance: ± 10%

■ Operating range



	COBRA NF 0750 A	COBRA NF 0950 A
Nominal pumping speed	max. 750 m³/h	max. 950 m³/h
Ultimate pressure	0.05 hPa (mbar)	0.01 hPa (mbar)
Nominal motor rating	15 kW	18.5 kW
Nominal motor speed	3600 min <sup>-1</sup>	4320 min <sup>-1</sup>
Noise level (ISO 2151)	≤ 66 dB(A)	≤ 69 dB(A)
Weight approx.	800 kg	800 kg
Dimensions (L x W x H)	1347 x 527 x 685 mm	1347 x 527 x 685 mm
Gas inlet / outlet	G3"/2x G2" / G3"	G3"/2x G2" / G3"

## DO YOU WANT TO KNOW MORE?

Get in touch with us directly!  
[vakutek@ttmail.com](mailto:vakutek@ttmail.com) or +90 (0)2163100573



CONTACT FORM



CALL NOW