

R5 RA 0400-0630 C

Oil-lubricated rotary vane vacuum pumps



VACUUM SOLUTIONS



Reliable

Robust construction, highly resilient carbon fiber vanes, proven rotary vane technology, long service life

High performance

High pumping speed at low pressures, designed for continuous operation

Flexible

Various design options available, easy adaption to individual customer requirements and processes, variable speed drive available

Accessories

- IEC (IE3) and NEMA motors
- Multi-voltage, multi-frequency motors (IE3) for variable speed drive
- Single or double gas-ballast valve, manual or solenoid operation
- Various inlet filters
- Various temperature and pressure gauges
- Starter units
- Oil mist separator
- Energy recuperation kit with heat exchanger
- Vacuum pump oils for all applications

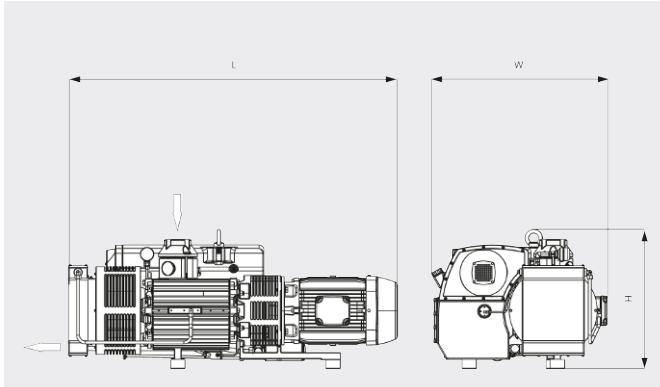
R5 RA 0400-0630 C

Oil-lubricated rotary vane vacuum pumps



VACUUM SOLUTIONS

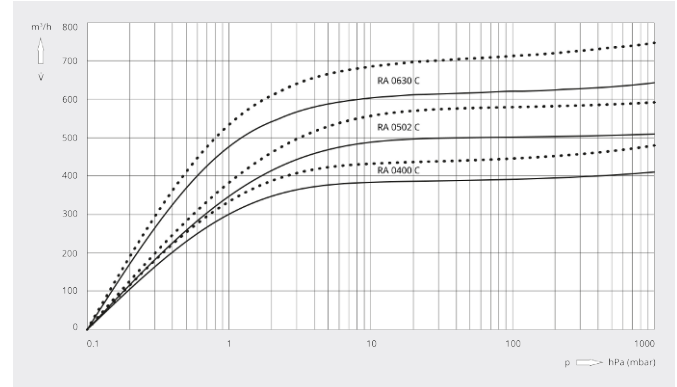
Dimensional drawing



Pumping speed

Air at 20°C. Tolerance: ± 10%

— 50 Hz 60 Hz



	R5 RA 0400 C	R5 RA 0502 C	R5 RA 0630 C
Nominal pumping speed	410 / 480 m³/h (50 / 60 Hz)	510 / 590 m³/h (50 / 60 Hz)	630 / 760 m³/h (50 / 60 Hz)
Ultimate pressure	0.1 hPa (mbar) (50 / 60 Hz)	0.1 hPa (mbar) (50 / 60 Hz)	0.1 hPa (mbar) (50 / 60 Hz)
Nominal motor rating	11 / 15 kW (50 / 60 Hz)	11 / 15 kW (50 / 60 Hz)	15 / 18.5 kW (50 / 60 Hz)
Nominal motor speed	1000 / 1200 min ⁻¹ (50 / 60 Hz)	1000 / 1200 min ⁻¹ (50 / 60 Hz)	1000 / 1200 min ⁻¹ (50 / 60 Hz)
Power consumption at 100 mbar	8.2 / 10.0 kW (50 / 60 Hz)	9.9 / 12.0 kW (50 / 60 Hz)	15 / 18.5 kW (50 / 60 Hz)
Power consumption at ultimate pressure	4.7 / 5.6 kW (50 / 60 Hz)	5.8 / 6.4 kW (50 / 60 Hz)	6.5 / 8.0 kW (50 / 60 Hz)
Noise level (ISO 2151)	77 / 79 dB(A) (50 / 60 Hz)	77 / 79 dB(A) (50 / 60 Hz)	77 / 79 dB(A) (50 / 60 Hz)
Oil capacity	12 l	12 l	15 l
Weight approx.	435 kg	530 kg	550 kg
Dimensions (L x W x H)	1309 x 862 x 711 mm	1374 x 864 x 712 mm	1723 x 912 x 712 mm
Gas inlet / outlet	G 3" / G 3"	G 3" / G 3"	G 3" / G 3"

DO YOU WANT TO KNOW MORE?

Get in touch with us directly!
info@busch.co.th or +66 2 02 66 113



CONTACT FORM



CALL NOW