

MINK MV 1202 B

Dry claw vacuum pump



Quiet

Low noise level due to a state-of-the-art acoustic design, can be installed at workstations

Efficient

Latest claw vacuum technology, low energy consumption, minimized operating costs, nearly maintenance-free, effective air cooling

Compact

Small footprint

Accessories, spare parts and options

• Aqua version

• IoT kit

• ATEX Category 3

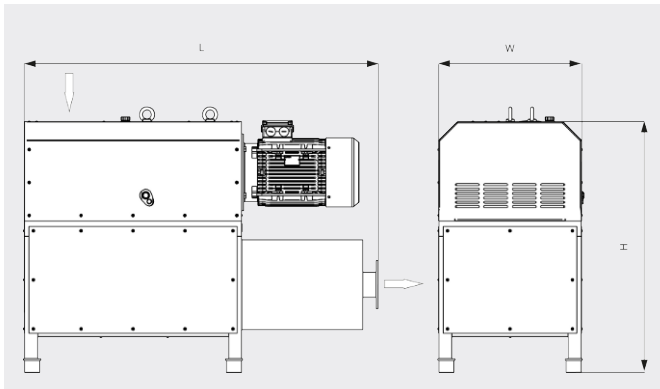
MINK MV 1202 B

Dry claw vacuum pump



VACUUM SOLUTIONS

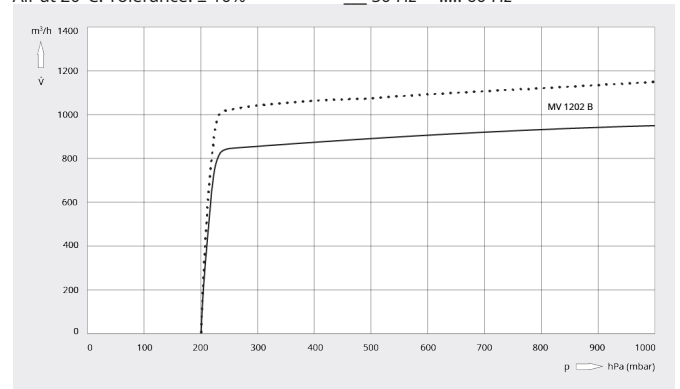
Dimensional drawing



Pumping speed

Air at 20°C. Tolerance: ± 10%

— 50 Hz 60 Hz



| MINK MV 1202 B | |
|------------------------|--|
| Nominal pumping speed | 950 / 1150 m ³ /h (50 / 60 Hz) |
| Ultimate pressure | 200 hPa (mbar) (50 / 60 Hz) |
| Nominal motor rating | 18.5 / 22.0 kW (50 / 60 Hz) |
| Nominal motor speed | 3000 / 3600 min ⁻¹ (50 / 60 Hz) |
| Noise level (ISO 2151) | 79 / 82 dB(A) (50 / 60 Hz) |
| Weight approx. | 900 kg |
| Dimensions (L x W x H) | 1620 x 670 x 1210 mm |
| Gas inlet / outlet | DN 100, PN 10/16 / DN 100, PN 10/16 |

DO YOU WANT TO KNOW MORE?

Get in touch with us directly!
info@busch.co.th or +66 2 02 66 113



CONTACT FORM



CALL NOW