

# MINK MM 1202-1322 AP

Dry claw compressors



VACUUM SOLUTIONS



## Flexible

Designed for numerous industrial applications of up to 2.0 bar(g), inlet filter and pressure relief valve as standard

## Reliable

Effective air cooling, constantly high volume flow throughout the entire life cycle

## Nearly maintenance-free

Dry and contact-free compression

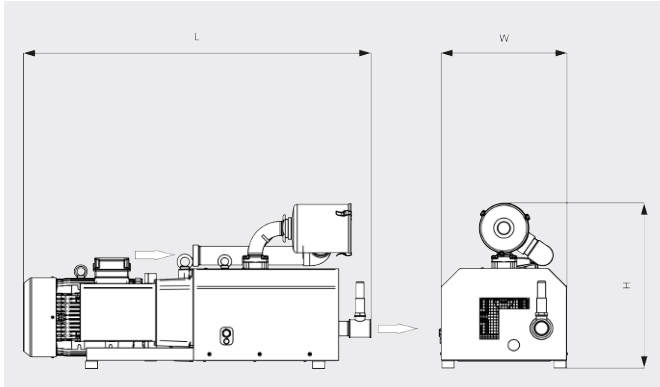
# MINK MM 1202-1322 AP

Dry claw compressors



VACUUM SOLUTIONS

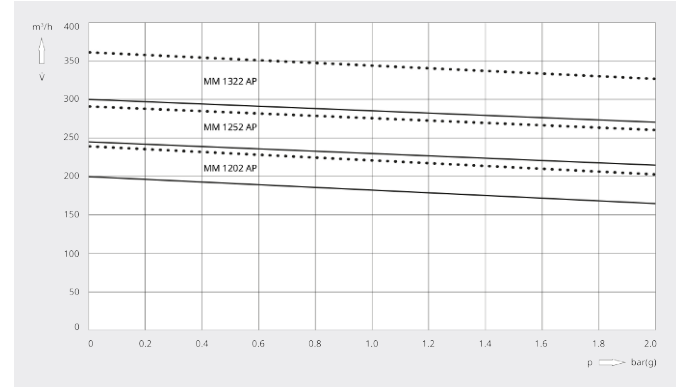
Dimensional drawing



Volume flow

Air at 20°C. Tolerance: ± 10%

— 50 Hz ..... 60 Hz



|                        | MINK MM 1202 AP                            | MINK MM 1202 AP                            | MINK MM 1202 AP                            |
|------------------------|--|--|--|
| Volume flow (at inlet) | 200 / 240 m³/h (50 / 60 Hz)                | 200 / 240 m³/h (50 / 60 Hz)                | 200 / 240 m³/h (50 / 60 Hz)                |
| Overpressure           | 0.8 / 1.1 bar(g) (50 / 60 Hz)              | 1.2 / 1.8 bar(g) (50 / 60 Hz)              | 2.0 bar(g) (50 / 60 Hz)                    |
| Nominal motor rating   | 6.0 / 9.5 kW (50 / 60 Hz)                  | 7.5 / 12.5 kW (50 / 60 Hz)                 | 11.0 / 13.5 kW (50 / 60 Hz)                |
| Nominal motor speed    | 3000 / 3600 min <sup>-1</sup> (50 / 60 Hz) | 3000 / 3600 min <sup>-1</sup> (50 / 60 Hz) | 3000 / 3600 min <sup>-1</sup> (50 / 60 Hz) |
| Noise level (ISO 2151) | 80 / 83 dB(A) (50 / 60 Hz)                 | 80 / 83 dB(A) (50 / 60 Hz)                 | 80 / 83 dB(A) (50 / 60 Hz)                 |
| Weight approx.         | 210 kg                                     | 210 kg                                     | 210 kg                                     |
| Dimensions (L x W x H) | 1345 x 515 x 665 mm                        | 1345 x 515 x 665 mm                        | 1345 x 515 x 665 mm                        |
| Gas outlet             | G 2"                                       | G 2"                                       | G 2"                                       |

|                        | MINK MM 1252 AP                            | MINK MM 1252 AP                            | MINK MM 1252 AP                            |
|------------------------|--|--|--|
| Volume flow (at inlet) | 245 / 290 m³/h (50 / 60 Hz)                | 245 / 290 m³/h (50 / 60 Hz)                | 245 / 290 m³/h (50 / 60 Hz)                |
| Overpressure           | 0.9 / 0.7 bar(g) (50 / 60 Hz)              | 1.6 / 1.4 bar(g) (50 / 60 Hz)              | 2.0 bar(g) (50 / 60 Hz)                    |
| Nominal motor rating   | 7.5 / 9.0 kW (50 / 60 Hz)                  | 10.6 / 12.6 kW (50 / 60 Hz)                | 12.5 / 15.6 kW (50 / 60 Hz)                |
| Nominal motor speed    | 3000 / 3600 min <sup>-1</sup> (50 / 60 Hz) | 3000 / 3600 min <sup>-1</sup> (50 / 60 Hz) | 3000 / 3600 min <sup>-1</sup> (50 / 60 Hz) |
| Noise level (ISO 2151) | 81 / 84 dB(A) (50 / 60 Hz)                 | 81 / 84 dB(A) (50 / 60 Hz)                 | 81 / 84 dB(A) (50 / 60 Hz)                 |
| Weight approx.         | 230 kg                                     | 230 kg                                     | 230 kg                                     |

# MINK MM 1202-1322 AP

Dry claw compressors



VACUUM SOLUTIONS

|                        | MINK MM 1252 AP     | MINK MM 1252 AP     | MINK MM 1252 AP     |
|------------------------|---------------------|---------------------|---------------------|
| Dimensions (L x W x H) | 1390 x 515 x 665 mm | 1390 x 515 x 665 mm | 1390 x 515 x 665 mm |
| Gas outlet             | G 2"                | G 2"                | G 2"                |

|                        | MINK MM 1322 AP                            | MINK MM 1322 AP                            | MINK MM 1322 AP                            |
|------------------------|--|--|--|
| Volume flow (at inlet) | 300 / 360 m <sup>3</sup> /h (50 / 60 Hz)   | 300 / 360 m <sup>3</sup> /h (50 / 60 Hz)   | 300 / 360 m <sup>3</sup> /h (50 / 60 Hz)   |
| Overpressure           | 1.0 / 0.8 bar(g) (50 / 60 Hz)              | 1.7 / 1.5 bar(g) (50 / 60 Hz)              | 2.0 bar(g) (50 / 60 Hz)                    |
| Nominal motor rating   | 10.5 / 12.5 kW (50 / 60 Hz)                | 14.9 / 17.2 kW (50 / 60 Hz)                | 16.5 / 21.0 kW (50 / 60 Hz)                |
| Nominal motor speed    | 3000 / 3600 min <sup>-1</sup> (50 / 60 Hz) | 3000 / 3600 min <sup>-1</sup> (50 / 60 Hz) | 3000 / 3600 min <sup>-1</sup> (50 / 60 Hz) |
| Noise level (ISO 2151) | 82 / 85 dB(A) (50 / 60 Hz)                 | 82 / 85 dB(A) (50 / 60 Hz)                 | 82 / 85 dB(A) (50 / 60 Hz)                 |
| Weight approx.         | 255 kg                                     | 255 kg                                     | 255 kg                                     |
| Dimensions (L x W x H) | 1425 x 515 x 665 mm                        | 1425 x 515 x 665 mm                        | 1425 x 515 x 665 mm                        |
| Gas outlet             | G 2"                                       | G 2"                                       | G 2"                                       |

## DO YOU WANT TO KNOW MORE?

Get in touch with us directly!  
[info@busch.co.th](mailto:info@busch.co.th) or +66 2 02 66 113



CONTACT FORM



CALL NOW