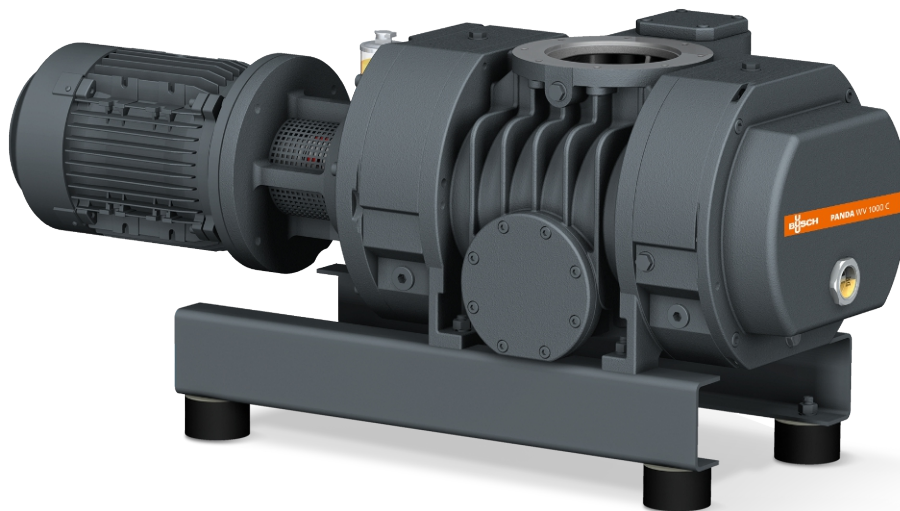


# PANDA WV 0250/0500 C



ALL ADVANTAGES OF  
THE SERIES PANDA WV

## Reliable

Solid lobe design, robust construction, reliable under varying operating conditions, barrier gas connection

## High performance

Excellent volumetric efficiency, high ultimate pressure, increases the performance of a vacuum system by up to a factor of ten, integrated bypass valve, specially designed for rough and medium vacuum applications

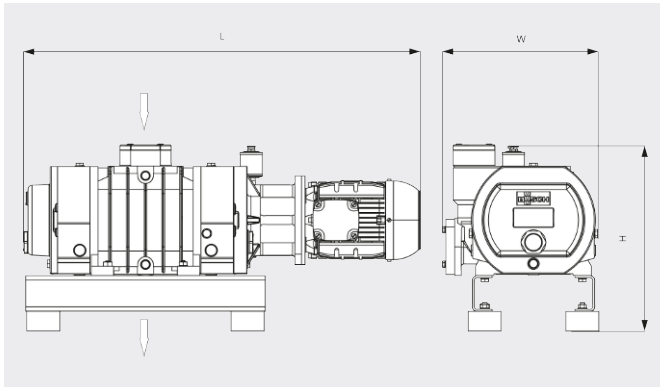
## Flexible

Can be flanged directly on the system at any position, boosts the performance of all types of backing pumps, with vertical or lateral discharge, perfectly suited for chemical processes

# PANDA WV 0250/0500 C



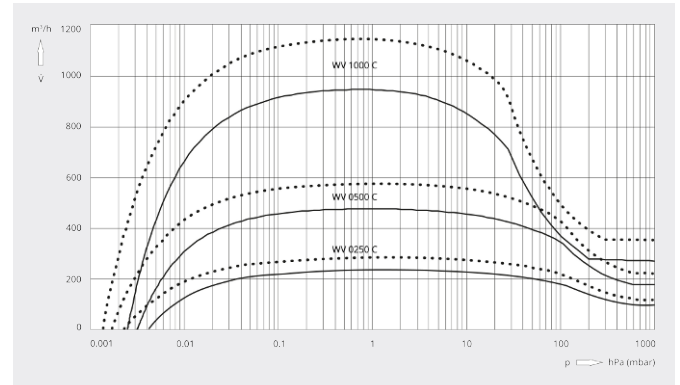
Dimensional drawing



Pumping speed

Air at 20°C. Tolerance: ± 10%

— 50 Hz ..... 60 Hz



	PANDA WV 0250 C	PANDA WV 0500 C
<b>Nominal pumping speed</b>	250 / 300 m³/h (50 / 60 Hz)	500 / 600 m³/h (50 / 60 Hz)
<b>Pumping speed</b>	235 / 285 m³/h (50 / 60 Hz)	480 / 575 m³/h (50 / 60 Hz)
<b>Max. differential pressure</b>	100 hPa (mbar) (50 / 60 Hz)	100 hPa (mbar) (50 / 60 Hz)
<b>Nominal motor rating</b>	1.1 / 1.5 kW (50 / 60 Hz)	2.2 / 3.0 kW (50 / 60 Hz)
<b>Nominal motor speed</b>	1500 / 1800 min <sup>-1</sup> (50 / 60 Hz)	3000 / 3600 min <sup>-1</sup> (50 / 60 Hz)
<b>Weight approx.</b>	150 kg	150 kg
<b>Dimensions (L x W x H)</b>	904 x 352 x 422 mm	917 x 352 x 422 mm
<b>Gas inlet / outlet (vertical)</b>	DN 100 ISO / DN 100 ISO	DN 100 ISO / DN 100 ISO

## DO YOU WANT TO KNOW MORE?

Get in touch with us directly!  
[info@busch.co.th](mailto:info@busch.co.th) or +66 2 02 66 113



CONTACT FORM



CALL NOW