

# APOVAC AP 0110-0180 A

Vacuum systems for chemical and pharmaceutical industries



VACUUM SOLUTIONS



## Proven performance

Standard vacuum system with proven DOLPHIN liquid ring vacuum pumps, specially designed for major processes in chemical and pharmaceutical industries, such as distillation, crystallization, filtration, vacuum drying

## Robust

Handling of toxic, corrosive or explosive gases, extremely high vapor and particle tolerance, for harsh process conditions, double condensation to ensure minimum carryover and maximum solvent recovery

## Cost-effective

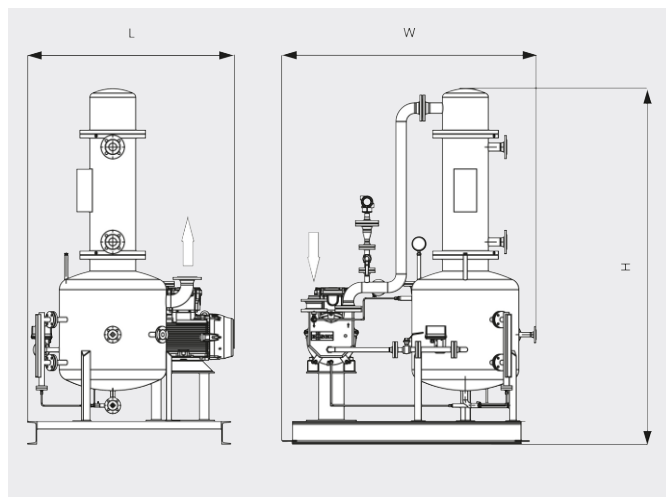
Low operating costs, high uptime, minimal maintenance, long service life

# APOVAC AP 0110-0180 A

Vacuum systems for chemical and pharmaceutical industries



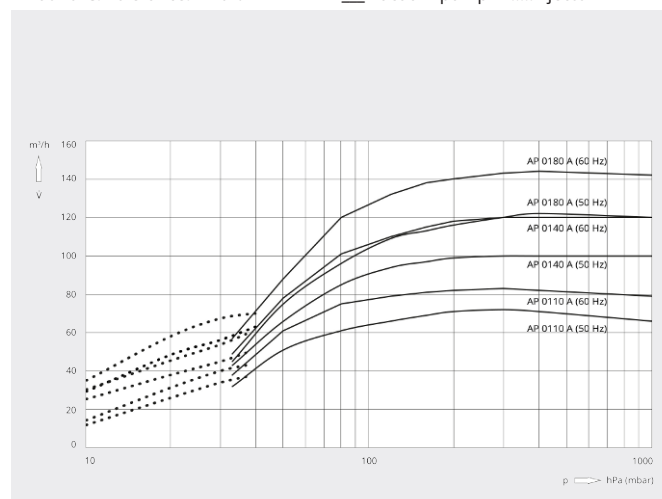
Dimensional drawing



Pumping speed

Air at 20°C. Tolerance: ± 10%

— Vacuum pump ..... Ejector



	APOVAC AP 0110 A	APOVAC AP 0140 A	APOVAC AP 0180 A
<b>Nominal pumping speed</b>	72 / 83 m <sup>3</sup> /h (50 / 60 Hz)	100 / 120 m <sup>3</sup> /h (50 / 60 Hz)	122 / 144 m <sup>3</sup> /h (50 / 60 Hz)
<b>Ultimate pressure</b>	33 / 10 (with optional ejector) hPa (mbar) (50 / 60 Hz)	33 / 10 (with optional ejector) hPa (mbar) (50 / 60 Hz)	33 / 10 (with optional ejector) hPa (mbar) (50 / 60 Hz)
<b>Nominal motor rating</b>	2.2 / 3.0 kW (50 / 60 Hz)	3.0 / 4.0 kW (50 / 60 Hz)	4.0 / 5.5 kW (50 / 60 Hz)
<b>Nominal motor speed</b>	1450 / 1750 min <sup>-1</sup> (50 / 60 Hz)	1450 / 1750 min <sup>-1</sup> (50 / 60 Hz)	1450 / 1750 min <sup>-1</sup> (50 / 60 Hz)
<b>Weight approx.</b>	600 kg	610 kg	620 kg
<b>Dimensions (L x W x H)</b>	1300 x 1300 x 1900 mm	1300 x 1300 x 1900 mm	1300 x 1300 x 1900 mm
<b>Gas inlet / outlet</b>	DN 40 / DN 50	DN 40 / DN 50	DN 40 / DN 50

**DO YOU WANT TO KNOW MORE?**

Get in touch with us directly!  
[info@busch.co.th](mailto:info@busch.co.th) or +66 2 02 66 113



CONTACT FORM



CALL NOW