

SAMOS SB 0710-1400 D0

Side channel blowers



VACUUM SOLUTIONS



Reliable

Robust construction, effective air cooling, long lifetime, nearly maintenance-free, dry and contact-free operating principle

Flexible

Vacuum or overpressure operation, horizontal and vertical installation, various design options and ATEX-certified versions available

Quiet

Very low noise level, fully enclosed unit, internal silencers

Accessories

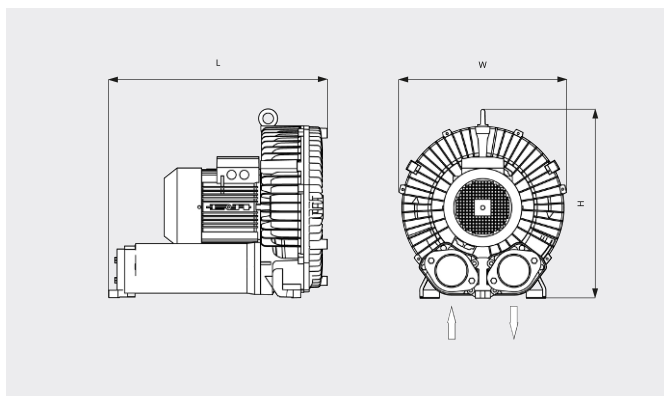
- Vacuum relief valves
- Pressure relief valves
- Additional silencers
- Thermal protection (bimetal switch or PTC-thermistor)

SAMOS SB 0710-1400 D0

Side channel blowers

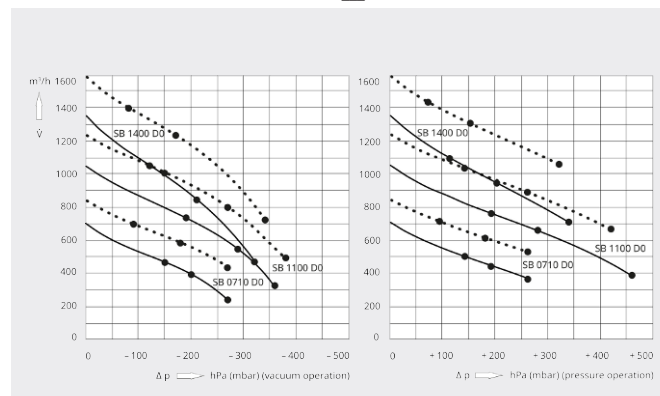


Dimensional drawing



Pumping speed/Volume flow
Air at 20°C. Tolerance: ± 10%

— 50 Hz 60 Hz



| | SAMOS SB 0710 D0 | SAMOS SB 0710 D0 | SAMOS SB 0710 D0 |
|---|--|--|--|
| Nominal pumping speed/volume flow | 700 / 840 m ³ /h (50 / 60 Hz) | 700 / 840 m ³ /h (50 / 60 Hz) | 700 / 840 m ³ /h (50 / 60 Hz) |
| Max. differential pressure (vacuum version) | -150 / -90 hPa (mbar) (50 / 60 Hz) | -200 / -180 hPa (mbar) (50 / 60 Hz) | -270 hPa (mbar) (50 / 60 Hz) |
| Max. differential pressure (overpressure version) | +140 / +90 hPa (mbar) (50 / 60 Hz) | +190 / +180 hPa (mbar) (50 / 60 Hz) | +260 hPa (mbar) (50 / 60 Hz) |
| Nominal motor rating | 4.0 / 4.6 kW (50 / 60 Hz) | 5.5 / 6.3 kW (50 / 60 Hz) | 7.5 / 8.6 kW (50 / 60 Hz) |
| Nominal motor speed | 2850 / 3450 min ⁻¹ (50 / 60 Hz) | 2850 / 3450 min ⁻¹ (50 / 60 Hz) | 2850 / 3450 min ⁻¹ (50 / 60 Hz) |
| Noise level (ISO 3744) | 70 / 74 dB(A) (50 / 60 Hz) | 70 / 74 dB(A) (50 / 60 Hz) | 70 / 74 dB(A) (50 / 60 Hz) |
| Weight approx. | 112 kg | 126 kg | 128 kg |
| Dimensions (L x W x H) | 495 x 498 x 514 mm | 495 x 498 x 514 mm | 495 x 498 x 514 mm |
| Gas inlet / outlet | G 2½" / G 2½" | G 2½" / G 2½" | G 2½" / G 2½" |

| | SAMOS SB 1100 D0 | SAMOS SB 1100 D0 | SAMOS SB 1100 D0 |
|---|--|--|--|
| Nominal pumping speed/volume flow | 1050 / 1250 m ³ /h (50 / 60 Hz) | 1050 / 1250 m ³ /h (50 / 60 Hz) | 1050 / 1250 m ³ /h (50 / 60 Hz) |
| Max. differential pressure (vacuum version) | -190 / -150 hPa (mbar) (50 / 60 Hz) | -290 / -270 hPa (mbar) (50 / 60 Hz) | -360 hPa (mbar) (50 / 60 Hz) |
| Max. differential pressure (overpressure version) | +190 / +140 hPa (mbar) (50 / 60 Hz) | +280 / +260 hPa (mbar) (50 / 60 Hz) | +460 / +420 hPa (mbar) (50 / 60 Hz) |
| Nominal motor rating | 8.5 / 9.8 kW (50 / 60 Hz) | 12.5 / 14.5 kW (50 / 60 Hz) | 18.5 / 21.3 kW (50 / 60 Hz) |

SAMOS SB 0710–1400 D0

Side channel blowers



VACUUM SOLUTIONS

| | SAMOS SB 1100 D0 | SAMOS SB 1100 D0 | SAMOS SB 1100 D0 |
|------------------------|--|--|--|
| Nominal motor speed | 2850 / 3450 min ⁻¹ (50 / 60 Hz) | 2850 / 3450 min ⁻¹ (50 / 60 Hz) | 2850 / 3450 min ⁻¹ (50 / 60 Hz) |
| Noise level (ISO 3744) | 74 / 79 dB(A) (50 / 60 Hz) | 74 / 79 dB(A) (50 / 60 Hz) | 74 / 79 dB(A) (50 / 60 Hz) |
| Weight approx. | 179 kg | 198 kg | 210 kg |
| Dimensions (L x W x H) | 726 x 569 x 569 mm | 726 x 569 x 569 mm | 726 x 569 x 569 mm |
| Gas inlet / outlet | G 4" / G 4" | G 4" / G 4" | G 4" / G 4" |

| | SAMOS SB 1400 D0 | SAMOS SB 1400 D0 | SAMOS SB 1400 D0 |
|---|--|--|--|
| Nominal pumping speed/volume flow | 1350 / 1600 m ³ /h (50 / 60 Hz) | 1350 / 1600 m ³ /h (50 / 60 Hz) | 1350 / 1600 m ³ /h (50 / 60 Hz) |
| Max. differential pressure (vacuum version) | -120 / -80 hPa (mbar) (50 / 60 Hz) | -210 / -170 hPa (mbar) (50 / 60 Hz) | -320 / -340 hPa (mbar) (50 / 60 Hz) |
| Max. differential pressure (overpressure version) | +110 / +70 hPa (mbar) (50 / 60 Hz) | +200 / +150 hPa (mbar) (50 / 60 Hz) | +340 / +320 hPa (mbar) (50 / 60 Hz) |
| Nominal motor rating | 8.5 / 9.8 kW (50 / 60 Hz) | 12.5 / 14.5 kW (50 / 60 Hz) | 18.5 / 21.3 kW (50 / 60 Hz) |
| Nominal motor speed | 2850 / 3450 min ⁻¹ (50 / 60 Hz) | 2850 / 3450 min ⁻¹ (50 / 60 Hz) | 2850 / 3450 min ⁻¹ (50 / 60 Hz) |
| Noise level (ISO 3744) | 75 / 80 dB(A) (50 / 60 Hz) | 75 / 80 dB(A) (50 / 60 Hz) | 75 / 80 dB(A) (50 / 60 Hz) |
| Weight approx. | 179 kg | 198 kg | 210 kg |
| Dimensions (L x W x H) | 726 x 569 x 569 mm | 726 x 569 x 569 mm | 726 x 569 x 569 mm |
| Gas inlet / outlet | G 4" / G 4" | G 4" / G 4" | G 4" / G 4" |

DO YOU WANT TO KNOW MORE?

Get in touch with us directly!
info@busch.co.th or +66 2 02 66 113



CONTACT FORM



CALL NOW