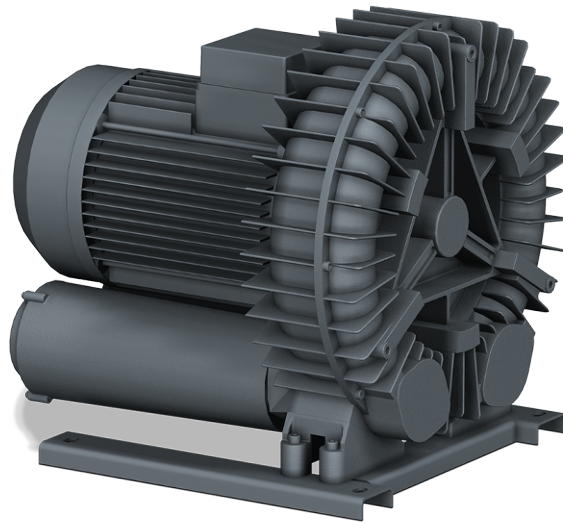


SAMOS SI 0540/1150 E1

Side channel blowers



VACUUM SOLUTIONS



Reliable

Robust and light-weight construction, effective air cooling, long lifetime, nearly maintenance-free, dry and contact-free operating principle, protection against overheating

Flexible

Vacuum or overpressure operation, horizontal and vertical installation

Quiet

Low noise level, fully enclosed unit, internal silencers

Accessories

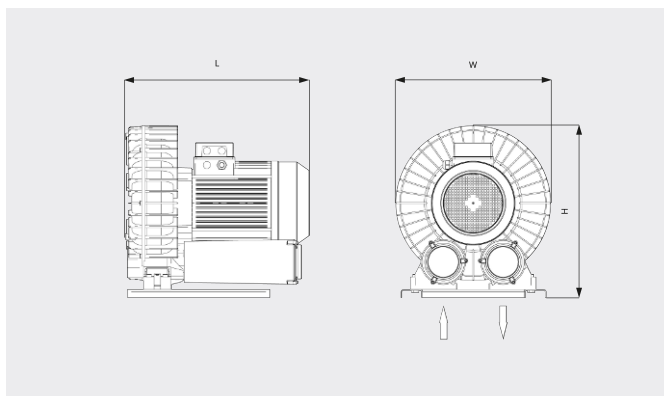
- Vacuum relief valves
- Pressure relief valves
- Additional silencers

SAMOS SI 0540/1150 E1

Side channel blowers



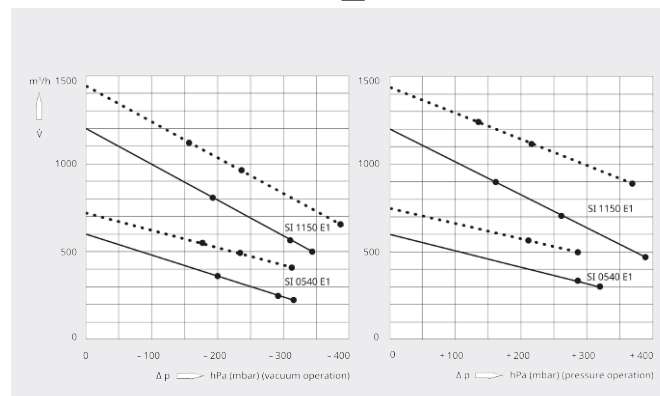
Dimensional drawing



Pumping speed/Volume flow

Air at 20°C. Tolerance: ± 10%

— 50 Hz 60 Hz



	SAMOS SI 0540 E1	SAMOS SI 0540 E1
Nominal pumping speed/volume flow	600 / 720 m ³ /h (50 / 60 Hz)	600 / 720 m ³ /h (50 / 60 Hz)
Max. differential pressure (vacuum version)	-295 / -225 hPa (mbar) (50 / 60 Hz)	-315 hPa (mbar) (50 / 60 Hz)
Max. differential pressure (overpressure version)	+285 / +205 hPa (mbar) (50 / 60 Hz)	+320 / +285 hPa (mbar) (50 / 60 Hz)
Nominal motor rating	7.5 / 8.6 kW (50 / 60 Hz)	9.0 / 10.4 kW (50 / 60 Hz)
Nominal motor speed	3000 / 3600 min ⁻¹ (50 / 60 Hz)	3000 / 3600 min ⁻¹ (50 / 60 Hz)
Noise level (ISO 3744)	78 / 84 dB(A) (50 / 60 Hz)	78 / 84 dB(A) (50 / 60 Hz)
Weight approx.	102 kg	102 kg
Dimensions (L x W x H)	602 x 530 x 583 mm	602 x 530 x 583 mm
Gas inlet / outlet	G 2½" / G 2½"	G 2½" / G 2½"

	SAMOS SI 1150 E1	SAMOS SI 1150 E1	SAMOS SI 1150 E1
Nominal pumping speed/volume flow	1200 / 1440 m ³ /h (50 / 60 Hz)	1200 / 1440 m ³ /h (50 / 60 Hz)	1200 / 1440 m ³ /h (50 / 60 Hz)
Max. differential pressure (vacuum version)	-185 / -155 hPa (mbar) (50 / 60 Hz)	-315 / -245 hPa (mbar) (50 / 60 Hz)	-345 / -390 hPa (mbar) (50 / 60 Hz)
Max. differential pressure (overpressure version)	+155 / +125 hPa (mbar) (50 / 60 Hz)	+265 / +215 hPa (mbar) (50 / 60 Hz)	+390 / +370 hPa (mbar) (50 / 60 Hz)
Nominal motor rating	11.0 / 12.6 kW (50 / 60 Hz)	15.0 / 17.3 kW (50 / 60 Hz)	20.0 / 25.2 kW (50 / 60 Hz)
Nominal motor speed	3000 / 3600 min ⁻¹ (50 / 60 Hz)	3000 / 3600 min ⁻¹ (50 / 60 Hz)	3000 / 3600 min ⁻¹ (50 / 60 Hz)

SAMOS SI 0540/1150 E1

Side channel blowers



VACUUM SOLUTIONS

	SAMOS SI 1150 E1	SAMOS SI 1150 E1	SAMOS SI 1150 E1
Noise level (ISO 3744)	82 / 84 dB(A) (50 / 60 Hz)	82 / 84 dB(A) (50 / 60 Hz)	82 / 84 dB(A) (50 / 60 Hz)
Weight approx.	205 kg	205 kg	205 kg
Dimensions (L x W x H)	719 x 570 x 631 mm	719 x 570 x 631 mm	719 x 570 x 631 mm
Gas inlet / outlet	G 4" / G 4"	G 4" / G 4"	G 4" / G 4"

DO YOU WANT TO KNOW MORE?

Get in touch with us directly!
info@busch.co.th or +66 2 02 66 113



CONTACT FORM



CALL NOW