

# COBRA NX 0450/0650 A

Dry screw vacuum pumps



VACUUM SOLUTIONS



## High performance

Advanced screw design, patented self-balancing screws, perfectly suited for heat treatment, coating, vacuum packaging, vacuum drying and degassing

## Efficient

Low cost of ownership, minimal maintenance, long service intervals, high uptime, efficient water cooling

## Flexible

Modular design, easy combination with PANDA vacuum boosters for increased ultimate pressure and pumping speed

### Accessories

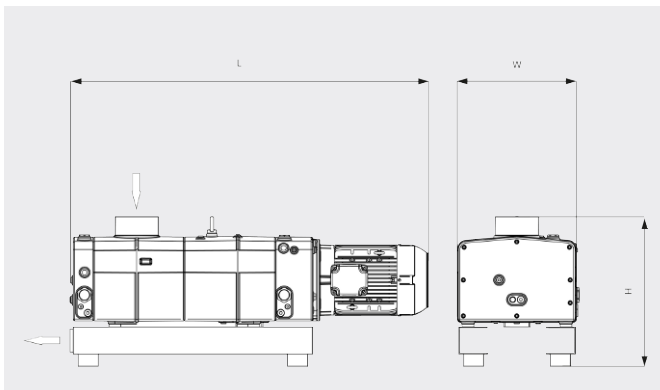
- Sealing gas supply for seals used with applications particularly subject to damp or dust
- Gas-ballast valve for increased water vapor tolerance
- Exhaust gas silencer for reduced sound level
- Radiator cooling system

# COBRA NX 0450/0650 A

Dry screw vacuum pumps



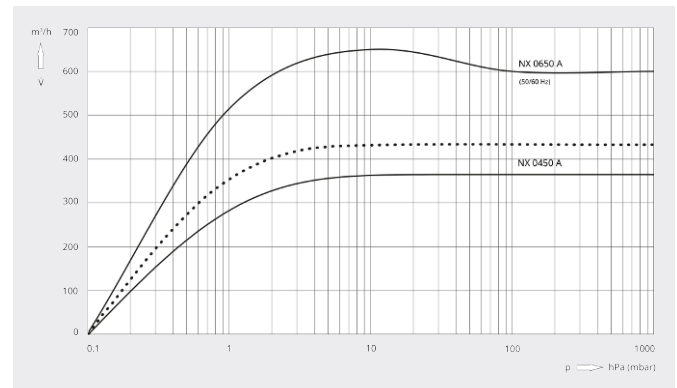
Dimensional drawing



Pumping speed

Air at 20°C. Tolerance: ± 10%

— 50 Hz ..... 60 Hz



	COBRA NX 0450 A	COBRA NX 0650 A
<b>Nominal pumping speed</b>	350 / 420 m³/h (50 / 60 Hz)	650 m³/h (50 / 60 Hz)
<b>Ultimate pressure</b>	≤ 0.1 hPa (mbar) (50 / 60 Hz)	≤ 0.1 hPa (mbar) (50 / 60 Hz)
<b>Nominal motor rating</b>	7.5 / 9.5 kW (50 / 60 Hz)	12.5 / 15.0 kW (50 / 60 Hz)
<b>Nominal motor speed</b>	3000 / 3600 min <sup>-1</sup> (50 / 60 Hz)	3000 / 3600 min <sup>-1</sup> (50 / 60 Hz)
<b>Noise level (ISO 2151)</b>	65 / 70 dB(A) (50 / 60 Hz)	71 / 75 dB(A) (50 / 60 Hz)
<b>Weight approx.</b>	500 kg	700 kg
<b>Dimensions (L x W x H)</b>	1321 x 450 x 551 mm	1521 x 524 x 623 mm
<b>Gas inlet / outlet</b>	G 3"/ ISO-F DN 100 / G 2"/ ISO-F DN 63	G 3"/ ISO-F DN 100 / G 3"/ ISO-F DN 100

DO YOU WANT TO KNOW MORE?

Get in touch with us directly!  
[info@busch.co.th](mailto:info@busch.co.th) or +66 2 02 66 113



CONTACT FORM



CALL NOW