

R5 RA 0520 A ECOTORQUE

Oil-lubricated rotary vane vacuum pump



Efficient

Up to 50% energy savings thanks to the variable speed drive (VSD), automatic start and stop function with Ecomode

High performance

High pumping speed at low pressure ranges, designed for continuous operation in the rough vacuum range, best-in-class footprint performance ratio

Flexible

Precise adjustment of vacuum level (pressure control) and pumping speed (speed control) to process requirements, compatible with a wide range of supply voltages

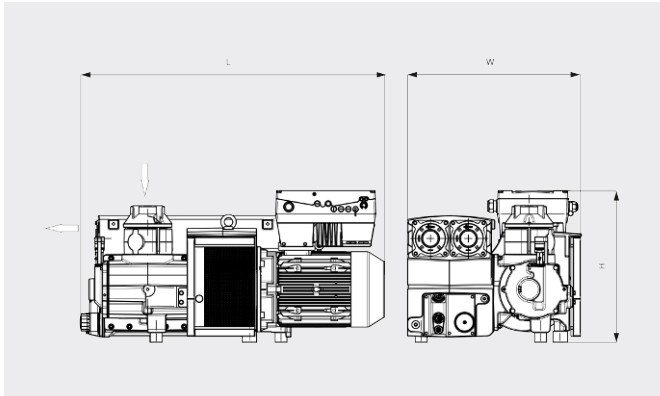
R5 RA 0520 A ECOTORQUE

Oil-lubricated rotary vane vacuum pump



VACUUM SOLUTIONS

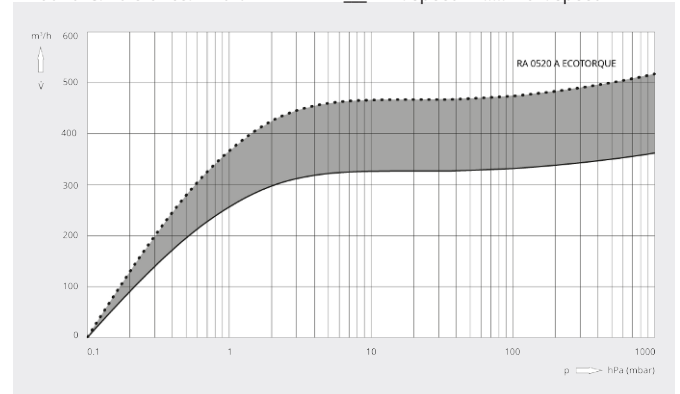
Dimensional drawing



Pumping speed

Air at 20°C. Tolerance: ± 10%

— Min. speed Max. speed



R5 RA 0520 A ECOTORQUE	
Nominal pumping speed	330 – 520 m ³ /h
Ultimate pressure	0.1 hPa (mbar)
Nominal motor speed	800 – 1200 min ⁻¹
Power consumption at ultimate pressure	2.6 – 3.9 kW
Noise level (ISO 2151)	67 – 76 dB(A)
Oil capacity	11 l
Weight approx.	441 kg
Dimensions (L x W x H)	1253 x 718 x 626 mm
Gas inlet *	G 3"

*Gas outlet G 3" optional

DO YOU WANT TO KNOW MORE?

Get in touch with us directly!
sales@busch.com.sg or +65 (0)64 88 08 66



CONTACT FORM



CALL NOW