

DOLPHIN LB 2108-3108 A

Liquid ring vacuum pumps



VACUUM SOLUTIONS



Robust

Proven technology, durable two-stage construction

Reliable

Extremely high vapor and particle tolerance

Flexible

Wide range of construction materials, including cast iron (EN-GJL-200), many grades of stainless steel and even titanium, ATEX-certified version available (Cat 1(i)/2(o) IIC T5), operating fluids other than water possible, operation as compressor possible

Accessories, spare parts and options

- Partial or total recirculation systems
- Liquid separator
- Cavitation protection
- Heat exchanger
- Gas ejector
- Wide selection of motors
- Non-return valves
- Vacuum relief valves

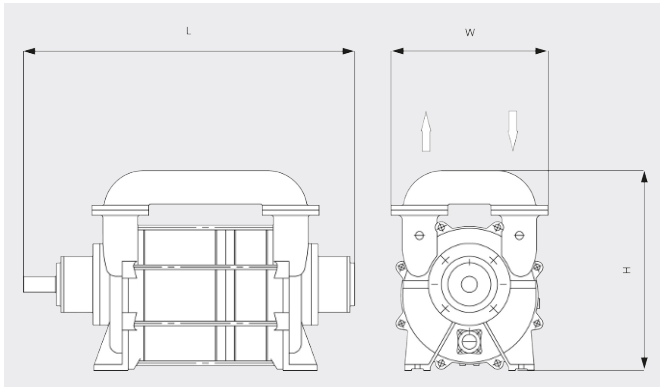
DOLPHIN LB 2108-3108 A

Liquid ring vacuum pumps



VACUUM SOLUTIONS

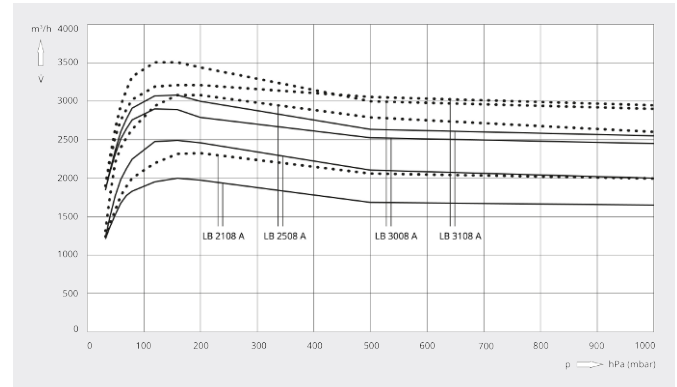
Dimensional drawing



Pumping speed

Air at 20°C. Tolerance: ± 10%

— 50 Hz 60 Hz



	DOLPHIN LB 2108 A	DOLPHIN LB 2508 A	DOLPHIN LB 3008 A	DOLPHIN LB 3108 A
Nominal pumping speed	2100 / 2300 m³/h (50 / 60 Hz)	2500 / 3080 m³/h (50 / 60 Hz)	3000 / 3200 m³/h (50 / 60 Hz)	3100 / 3500 m³/h (50 / 60 Hz)
Ultimate pressure	33 hPa (mbar) (50 / 60 Hz)	33 hPa (mbar) (50 / 60 Hz)	33 hPa (mbar) (50 / 60 Hz)	33 hPa (mbar) (50 / 60 Hz)
Nominal motor rating	55 / 90 kW (50 / 60 Hz)	75 / 110 kW (50 / 60 Hz)	90 / 150 kW (50 / 60 Hz)	110 / 150 kW (50 / 60 Hz)
Nominal motor speed	735 / 880 min ⁻¹ (50 / 60 Hz)	735 / 880 min ⁻¹ (50 / 60 Hz)	735 / 880 min ⁻¹ (50 / 60 Hz)	735 / 880 min ⁻¹ (50 / 60 Hz)
Noise level (ISO 2151)	79 dB(A)	79 dB(A)	79 dB(A)	79 dB(A)
Weight approx.	1526 kg	1664 kg	1800 kg	2090 kg
Dimensions (L x W x H)	(1658 – 1938) x 650 x 800 mm	(1808 – 2088) x 650 x 800mm	(1908 – 2188) x 650 x 800 mm	(1943 – 2223) x 650 x 800 mm
Gas inlet / outlet	DN 150 PN 10 / DN 150 PN 10	DN 150 PN 10 / DN 150 PN 10	DN 150 PN 10 / DN 150 PN 10	DN 150 PN 10 / DN 150 PN 10

DO YOU WANT TO KNOW MORE?

Get in touch with us directly!
sales@busch.com.sg or +65 (0)64 88 08 66



CONTACT FORM



CALL NOW