

MINK MV 0040-0080 D Synchro

Dry claw vacuum pumps



VACUUM SOLUTIONS



Quiet

Low noise level due to a state-of-the-art acoustic design, significantly reduced pulsation, can be installed at workstations

Efficient

Latest claw vacuum technology, intelligent variable speed drive with PID controller, low energy consumption, minimized operating costs

Compact

Small footprint

Accessories

- Parameter configuration kit for alteration of control settings by computer, including software
- Fieldbus modules
- Pressure transmitter for pressure-regulated vacuum pump operation
- Inlet filter
- Condensate drain valve (Aqua version)
- Manual control unit for easy vacuum pump control

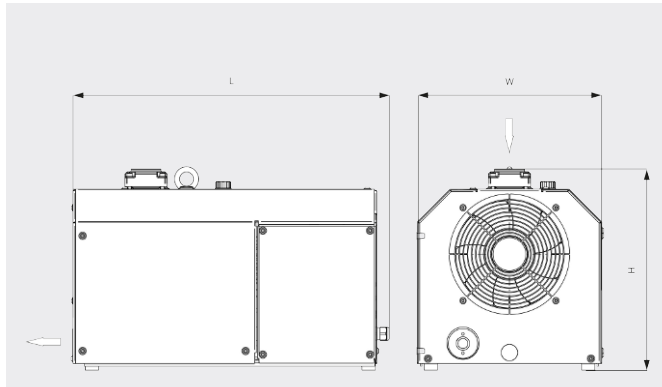
MINK MV 0040-0080 D Synchro

Dry claw vacuum pumps

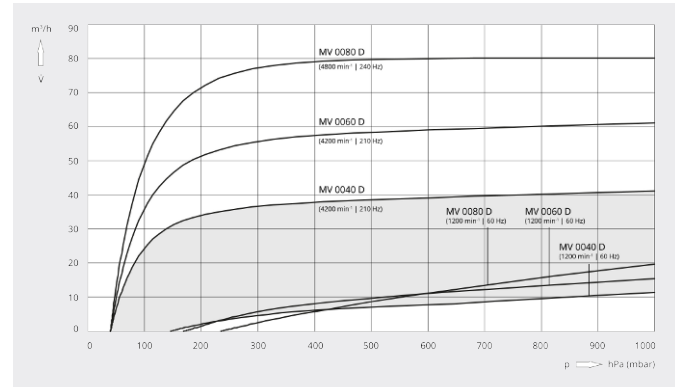


VACUUM SOLUTIONS

Dimensional drawing



Pumping speed
Air at 20°C. Tolerance: ± 10%



| | MINK MV 0040 D Synchro | MINK MV 0060 D Synchro | MINK MV 0080 D Synchro |
|-----------------------------------|-------------------------------|-------------------------------|-------------------------------|
| Nominal pumping speed | 40 m ³ /h | 60 m ³ /h | 80 m ³ /h |
| Ultimate pressure | 40 hPa (mbar) | 40 hPa (mbar) | 40 hPa (mbar) |
| Power consumption (motor and fan) | 1.3 kW | 1.7 kW | 2.1 kW |
| Nominal motor speed | 1200 – 4200 min ⁻¹ | 1200 – 4200 min ⁻¹ | 1200 – 4800 min ⁻¹ |
| Noise level (ISO 2151) | 62 dB(A) | 68 dB(A) | 71 dB(A) |
| Weight approx. | 80 kg | 85 kg | 87 kg |
| Dimensions (L x W x H) | 585 x 345 x 370 mm | 610 x 345 x 370 mm | 610 x 345 x 370 mm |
| Gas inlet / outlet | G 1¼" / G ¾" | G 1¼" / G ¾" | G 1¼" / G ¾" |

DO YOU WANT TO KNOW MORE?

Get in touch with us directly!
sales@busch.com.sg or +65 (0)64 88 08 66



CONTACT FORM



CALL NOW