

# ZEBRA RH 0030-0090 B

Two-stage oil-lubricated rotary vane vacuum pumps



VACUUM SOLUTIONS



## Reliable

Specially designed for a wide range of applications in the medium vacuum range, robust construction, proven rotary vane vacuum technology

## High performance

Stable pumping speed even in low pressure range

## Quiet

Perfectly suited for research labs and low-noise working environments, only 60 dB(A) at 50 Hz

### Accessories

- Inlet filter
- Oil mist separator
- Oil return line
- Gas-ballast valve

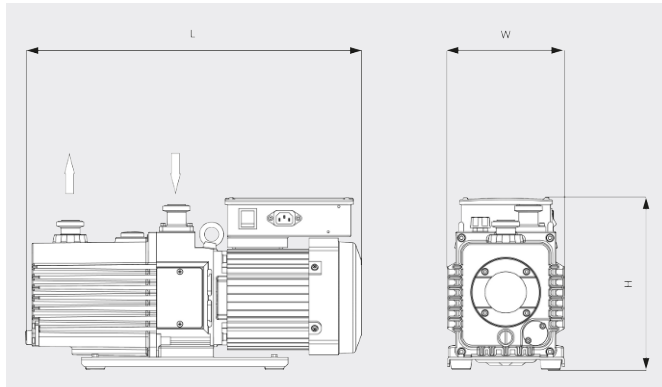
# ZEBRA RH 0030-0090 B

Two-stage oil-lubricated rotary vane vacuum pumps



VACUUM SOLUTIONS

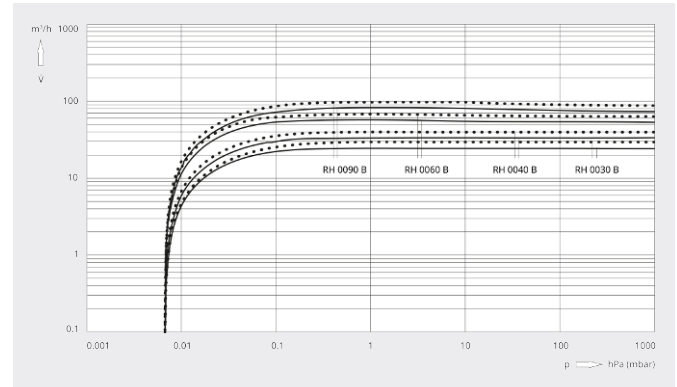
Dimensional drawing



Pumping speed

Air at 20°C. Tolerance: ± 10%

— 50 Hz ..... 60 Hz



	ZEBRA RH 0030 B	ZEBRA RH 0040 B	ZEBRA RH 0060 B	ZEBRA RH 0090 B
<b>Pumping speed</b>	24 / 29 m³/h (50 / 60 Hz)	33 / 39 m³/h (50 / 60 Hz)	55 / 65 m³/h (50 / 60 Hz)	80 / 95 m³/h (50 / 60 Hz)
<b>Pumping speed</b>	400 / 483 l/min (50 / 60 Hz)	550 / 650 l/min (50 / 60 Hz)	917 / 1083 l/min (50 / 60 Hz)	1333 / 1583 l/min (50 / 60 Hz)
<b>Ultimate partial pressure (gas-ballast valve closed)</b>	6.7 · 10 <sup>-4</sup> hPa (mbar)	6.7 · 10 <sup>-4</sup> hPa (mbar)	6.7 · 10 <sup>-4</sup> hPa (mbar)	6.7 · 10 <sup>-4</sup> hPa (mbar)
<b>Ultimate total pressure (gas-ballast valve closed)</b>	6.7 · 10 <sup>-3</sup> hPa (mbar)	6.7 · 10 <sup>-3</sup> hPa (mbar)	6.7 · 10 <sup>-3</sup> hPa (mbar)	6.7 · 10 <sup>-3</sup> hPa (mbar)
<b>Ultimate total pressure (gas-ballast valve open)</b>	2 · 10 <sup>-2</sup> hPa (mbar)	2 · 10 <sup>-2</sup> hPa (mbar)	2 · 10 <sup>-2</sup> hPa (mbar)	2 · 10 <sup>-2</sup> hPa (mbar)
<b>Max. continuous inlet pressure</b>	65 hPa (mbar)	65 hPa (mbar)	65 hPa (mbar)	10 hPa (mbar)
<b>Max. back pressure (gauge)</b>	300 hPa (mbar)	300 hPa (mbar)	300 hPa (mbar)	300 hPa (mbar)
<b>Water vapor capacity (gas-ballast valve open)</b>	190 / 250 g/h (50 / 60 Hz)	270 / 410 g/h (50 / 60 Hz)	430 / 1100 g/h (50 / 60 Hz)	480 / 600 g/h (50 / 60 Hz)
<b>Nominal motor rating</b>	1.5 kW	1.5 kW	2.2 kW	3.7 kW
<b>Operating voltage</b>	200 – 240 / 380 – 415 V (50 Hz) / 200 – 240 / 380 – 460 V (60 Hz)	200 – 240 / 380 – 415 V (50 Hz) / 200 – 240 / 380 – 460 V (60 Hz)	200 – 240 / 380 – 415 V (50 Hz) / 200 – 240 / 380 – 460 V (60 Hz)	200 – 240 / 380 – 415 V (50 Hz) / 200 – 240 / 380 – 460 V (60 Hz)
<b>Ambient temperature</b>	4 – 40 °C	4 – 40 °C	4 – 40 °C	4 – 40 °C
<b>Oil</b>	VMA 055	VMA 055	VMA 055	VMA 055
<b>Oil capacity</b>	2.5 l	2.5 l	4 l	4 l
<b>Noise level (ISO 2151)</b>	< 57 / < 61 dB(A) (50 / 60 Hz)	< 60 / < 64 dB(A) (50 / 60 Hz)	< 60 / < 64 dB(A) (50 / 60 Hz)	< 60 / < 66 dB(A) (50 / 60 Hz)

# ZEBRA RH 0030–0090 B

Two-stage oil-lubricated rotary vane vacuum pumps



	ZEBRA RH 0030 B	ZEBRA RH 0040 B	ZEBRA RH 0060 B	ZEBRA RH 0090 B
Weight approx.	58 kg	60 kg	90 kg	113 kg
Dimensions (L x W x H)	671 x 214 x 326 mm	691 x 214 x 326 mm	772 x 264 x 373 mm	831 x 264 x 373 mm
Gas inlet / outlet	ISO-KF 40 / ISO-KF 40	ISO-KF 40 / ISO-KF 40	ISO-KF 40 / ISO-KF 40	ISO-K 63 / ISO-KF 40
Marking	cTUVus	cTUVus	cTUVus	cTUVus
Additional information	<ul style="list-style-type: none"><li>• Terminal box</li><li>• Prefilled with VMA 055 oil</li></ul>	<ul style="list-style-type: none"><li>• Terminal box</li><li>• Prefilled with VMA 055 oil</li></ul>	<ul style="list-style-type: none"><li>• Terminal box</li><li>• Prefilled with VMA 055 oil</li></ul>	<ul style="list-style-type: none"><li>• Terminal box</li><li>• Prefilled with VMA 055 oil</li><li>• Vacuum pump not intended for continuous operation at pressures &gt; 10 mbar abs.</li></ul>

## DO YOU WANT TO KNOW MORE?

Get in touch with us directly!  
[sales@busch.com.sg](mailto:sales@busch.com.sg) or +65 (0)64 88 08 66



CONTACT FORM



CALL NOW