

# COBRA NC 0400-1000 B/C

Dry screw vacuum pumps



VACUUM SOLUTIONS



## High performance

Advanced screw design, patented self-balancing screws, perfectly suited for chemical processes, distillation and vacuum drying

## Efficient

Low cost of ownership, minimal maintenance, long service intervals, high uptime, efficient water cooling

## Flexible

Air cooling, various sealing and coating configurations as well as ATEX-certified versions available

Accessories

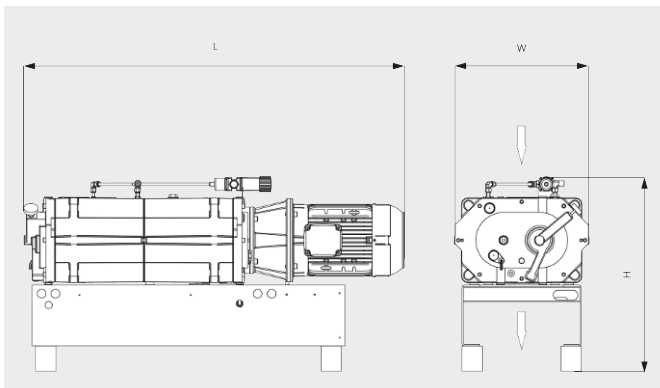
- Various sealing and coating configurations
- ATEX-certified versions available

# COBRA NC 0400-1000 B/C

Dry screw vacuum pumps



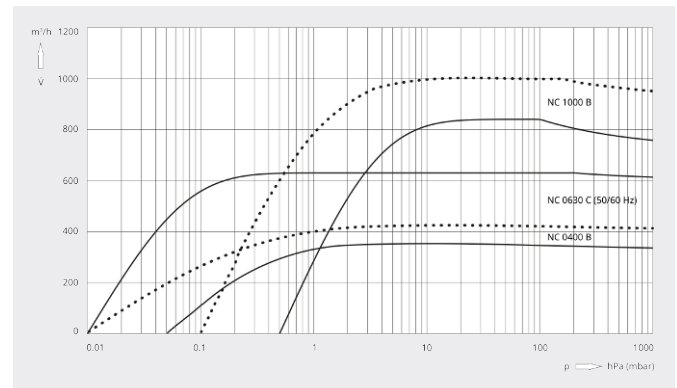
Dimensional drawing



Pumping speed

Air at 20°C. Tolerance: ± 10%

— 50 Hz ..... 60 Hz



	COBRA NC 0400 B	COBRA NC 0630 C	COBRA NC 1000 B
<b>Nominal pumping speed</b>	350 / 420 m³/h (50 / 60 Hz)	630 m³/h (50 / 60 Hz)	840 / 1000 m³/h (50 / 60 Hz)
<b>Ultimate pressure</b>	≤ 0.05 / ≤ 0.01 hPa (mbar) (50 / 60 Hz)	≤ 0.01 hPa (mbar) (50 / 60 Hz)	≤ 0.5 / ≤ 0.1 hPa (mbar) (50 / 60 Hz)
<b>Nominal motor rating</b>	7.5 / 9.5 kW (50 / 60 Hz)	15.0 / 17.0 kW (50 / 60 Hz)	22.0 / 25.0 kW (50 / 60 Hz)
<b>Nominal motor speed</b>	3000 / 3600 min <sup>-1</sup> (50 / 60 Hz)	3000 / 3600 min <sup>-1</sup> (50 / 60 Hz)	3000 / 3600 min <sup>-1</sup> (50 / 60 Hz)
<b>Noise level (ISO 2151)</b>	66 / 69 dB(A) (50 / 60 Hz)	70 / 75 dB(A) (50 / 60 Hz)	74 / 81 dB(A) (50 / 60 Hz)
<b>Weight approx.</b>	500 kg	600 kg	1500 kg
<b>Dimensions (L x W x H)</b>	1367 x 480 x 700 mm	1502 x 602 x 640 mm	1928 x 620 x 974 mm
<b>Gas inlet / outlet</b>	DN 80 PN 6 / DN 63 ISO-K	DN 100 ISO-K / DN 100 ISO-K	DN 125 PN 16 / DN 125 PN 16

DO YOU WANT TO KNOW MORE?

Get in touch with us directly!  
[sales@busch.com.sg](mailto:sales@busch.com.sg) or +65 (0)64 88 08 66



CONTACT FORM



CALL NOW