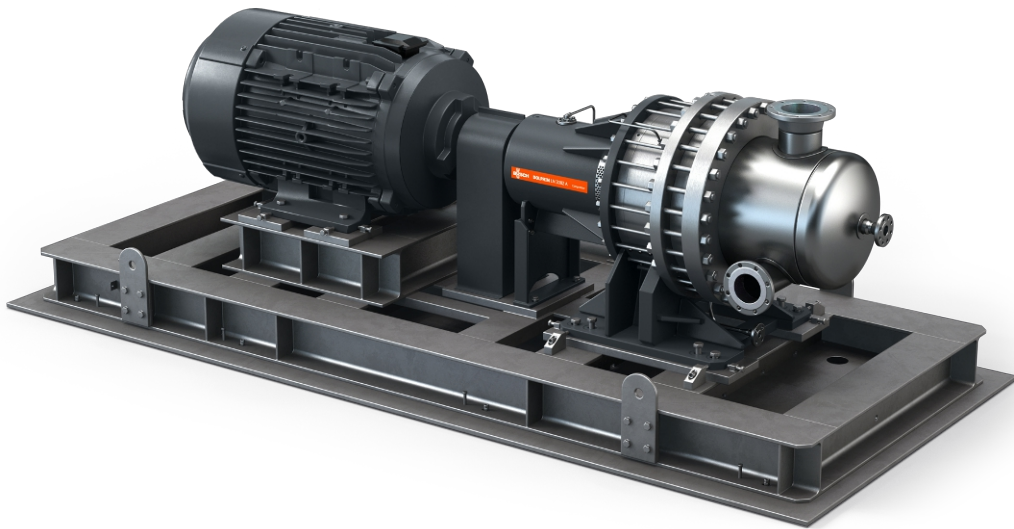


# DOLPHIN LN 3001/3002 A (Former NSB SB 1.25/2.25)

Liquid ring compressors



VACUUM SOLUTIONS



## Robust

API standard, ATEX-certified, test run without operating fluids possible, extremely high vapor and particle tolerance

## Easy servicing

Quick replacement of bearings and mechanical seals, no impeller adjustment needed, cleaning in place (CIP) with hot steam possible

## Simple operation

Direct start function under full discharge pressure, reaches full performance after ten seconds

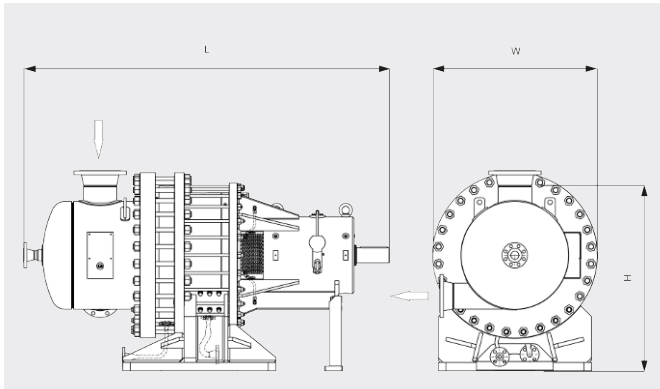
# DOLPHIN LN 3001/3002 A (Former NSB SB 1.25/2.25)

Liquid ring compressors



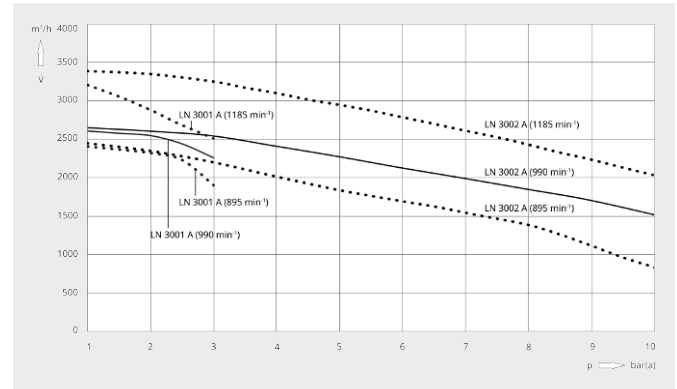
**VACUUM SOLUTIONS**

Dimensional drawing



Pumping speed

Dry air at 20°C. Operating fluid water 15°C. Tolerance: ± 10%



	DOLPHIN LN 3001 A	DOLPHIN LN 3002 A Preliminary
Volume flow	2300 / 2700 m <sup>3</sup> /h	2500 / 3200 m <sup>3</sup> /h
Overpressure	3 bar(a)	10 bar(a)
Nominal motor rating	260 / 370 kW	590 / 800 kW
Nominal motor speed	990 / 1185 min <sup>-1</sup>	990 / 1185 min <sup>-1</sup>
Noise level (ISO 2151)	85 / 88 dB(A)	87 / 90 dB(A)
Max. temperature of inlet gas stream	90 °C	90 °C
Weight approx.	3600 kg	3720 kg
Dimensions (L x W x H)	2285 x 1075 x 1300 mm	2384 x 1075 x 1300 mm
Gas inlet / outlet	DN 200 PN 16 / DN 150 PN 16	DN 200 PN 16 / DN 150 PN 16

## DO YOU WANT TO KNOW MORE?

Get in touch with us directly!  
sales@busch.com.sg or +65 (0)64 88 08 66



CONTACT FORM



CALL NOW