

DOLPHIN LT 0320-0510 A

Liquid ring vacuum pumps



VACUUM SOLUTIONS



Robust

Proven technology, durable two-stage construction, corrosion-free stainless steel impeller, direct flange-mounted motor, no base frame required, integrated flow channel

Reliable

Extremely high vapor and particle tolerance, optimized gas flow

Flexible

Choice of cast iron (EN-GJL-200) or 316 grade stainless steel material housings, ATEX-certified version available (Cat 1(i/o) IIC T4), operating fluids other than water possible

Accessories

- Modular pumpsets, configured for once-through, partial or total recirculation of the operating fluid
- Liquid separator
- Cavitation protection
- Heat exchanger
- Gas ejector
- Wide selection of motors
- Non-return valves
- Vacuum relief valves
- Variable speed drive

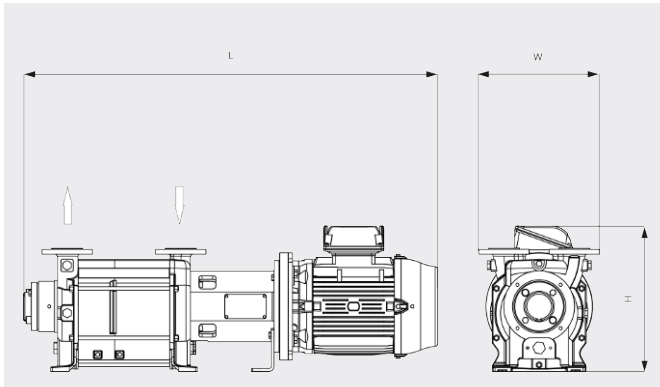
DOLPHIN LT 0320-0510 A

Liquid ring vacuum pumps



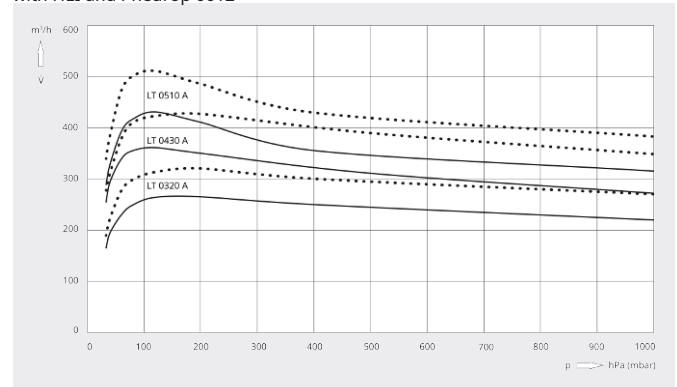
VACUUM SOLUTIONS

Dimensional drawing



Pumping speed

Dry air at 20 °C. Operating fluid water 15°C. Tolerance: - 10%, in accordance with HEI and Pneurop 6612



	DOLPHIN LT 0320 A	DOLPHIN LT 0430 A	DOLPHIN LT 0510 A
Nominal pumping speed	265 / 320 m³/h (50 / 60 Hz)	361 / 426 m³/h (50 / 60 Hz)	430 / 510 m³/h (50 / 60 Hz)
Ultimate pressure	33 hPa (mbar) (50 / 60 Hz)	33 hPa (mbar) (50 / 60 Hz)	33 hPa (mbar) (50 / 60 Hz)
Max. overpressure	1.5 bar(g) (50 / 60 Hz)	1.5 / 1.3 bar(g) (50 / 60 Hz)	1.1 bar(g) (50 / 60 Hz)
Nominal motor rating	7.5 / 11.0 kW (50 / 60 Hz)	11.0 / 15.0 kW (50 / 60 Hz)	11.0 / 15.0 kW (50 / 60 Hz)
Nominal motor speed	1450 / 1750 min ⁻¹ (50 / 60 Hz)	1450 / 1750 min ⁻¹ (50 / 60 Hz)	1450 / 1750 min ⁻¹ (50 / 60 Hz)
Noise level (ISO 2151)	72 / 73 dB(A) (50 / 60 Hz)	72 / 73 dB(A) (50 / 60 Hz)	72 / 73 dB(A) (50 / 60 Hz)
Weight approx.	242 kg	294 kg	324 kg
Dimensions (L x W x H)	1208 x 396 x 432 mm	1356 x 396 x 478 mm	1416 x 396 x 478 mm
Gas inlet / outlet	DN 50 PN 10 / DN 50 PN 10	DN 50 PN 10 / DN 50 PN 10	DN 50 PN 10 / DN 50 PN 10

DO YOU WANT TO KNOW MORE?

Get in touch with us directly!
sales@busch.com.sg or +65 (0)64 88 08 66



CONTACT FORM



CALL NOW