

# R5 RA 0520 A ECOTORQUE

Oil-lubricated rotary vane vacuum pump



VACUUM SOLUTIONS



## Efficient

Up to 50% energy savings thanks to the variable speed drive (VSD), automatic start and stop function with Ecomode

## High performance

High pumping speed at low pressure ranges, designed for continuous operation in the rough vacuum range, best-in-class footprint performance ratio

## Flexible

Precise adjustment of vacuum level (pressure control) and pumping speed (speed control) to process requirements, compatible with a wide range of supply voltages

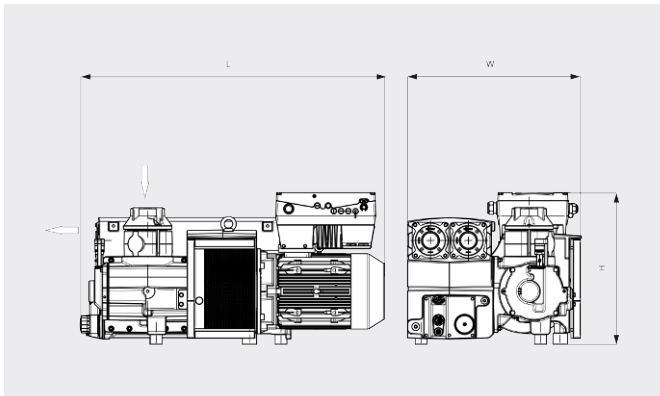
# R5 RA 0520 A ECOTORQUE

Oil-lubricated rotary vane vacuum pump



VACUUM SOLUTIONS

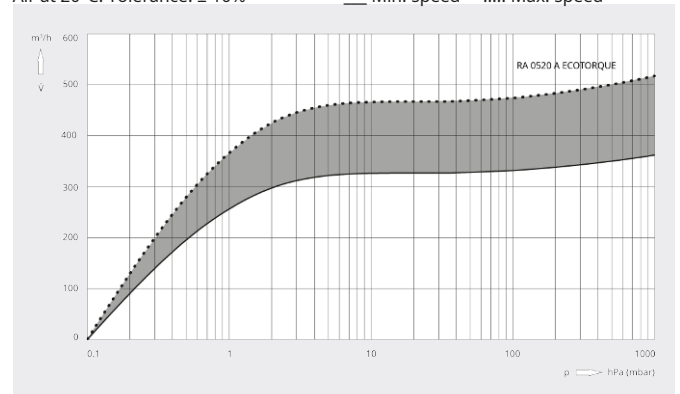
Dimensional drawing



Pumping speed

Air at 20°C. Tolerance: ± 10%

— Min. speed ..... Max. speed



| R5 RA 0520 A ECOTORQUE                 |                              |
|--|------------------------------|
| Nominal pumping speed                  | 330 – 520 m <sup>3</sup> /h  |
| Ultimate pressure                      | 0.1 hPa (mbar)               |
| Nominal motor speed                    | 800 – 1200 min <sup>-1</sup> |
| Power consumption at ultimate pressure | 2.6 – 3.9 kW                 |
| Noise level (ISO 2151)                 | 67 – 76 dB(A)                |
| Oil capacity                           | 11 l                         |
| Weight approx.                         | 441 kg                       |
| Dimensions (L x W x H)                 | 1253 x 718 x 626 mm          |
| Gas inlet *                            | G 3"                         |

\*Gas outlet G 3" optional

DO YOU WANT TO KNOW MORE?

Get in touch with us directly!



CONTACT FORM