

COBRA NX 0950 A

Dry screw vacuum pump



VACUUM SOLUTIONS



High performance

Advanced screw design, patented self-balancing screws, excellent running qualities, perfectly suited for vacuum drying, freeze drying, degassing, heat treatment, thermoforming and many more

Efficient

Intelligent variable speed drive, low cost of ownership, minimal maintenance, long service intervals, high uptime, efficient water cooling

Robust

High vapor and particle tolerance, self-draining

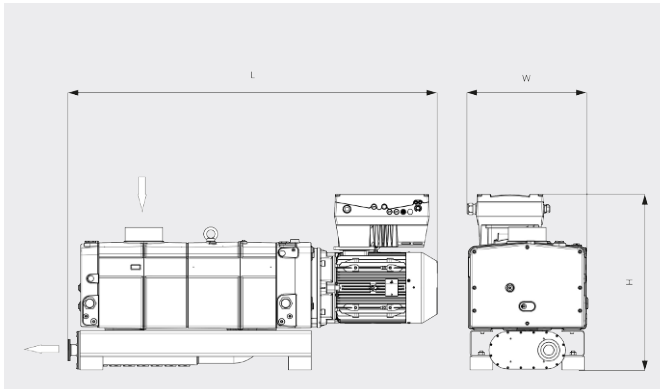
COBRA NX 0950 A

Dry screw vacuum pump



VACUUM SOLUTIONS

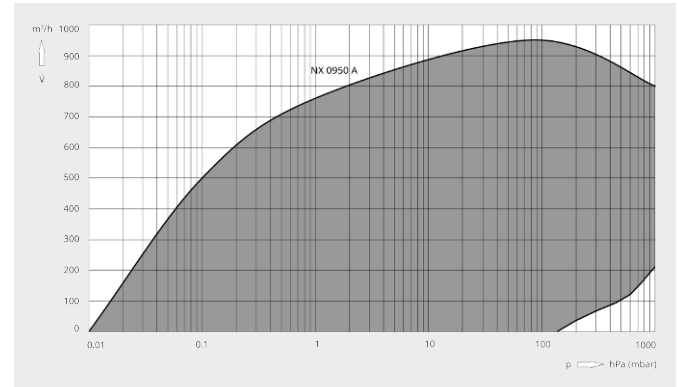
Dimensional drawing



Pumping speed

Air at 20°C. Tolerance: ± 10%

■ Operating range



COBRA NX 0950 A	
Frequency range	20 Hz
Nominal pumping speed	max. 950 m ³ /h
Ultimate pressure	0.01 hPa (mbar)
Nominal motor rating	18.5 kW
Nominal motor speed	4320 min ⁻¹
Noise level (ISO 2151)	75 dB(A)
Weight approx.	1000 kg
Dimensions (L x W x H)	1672 x 526 x 776 mm
Gas inlet / outlet	G3" + ISO-K DN100 / ISO-K DN100

DO YOU WANT TO KNOW MORE?

Get in touch with us directly!



CONTACT FORM