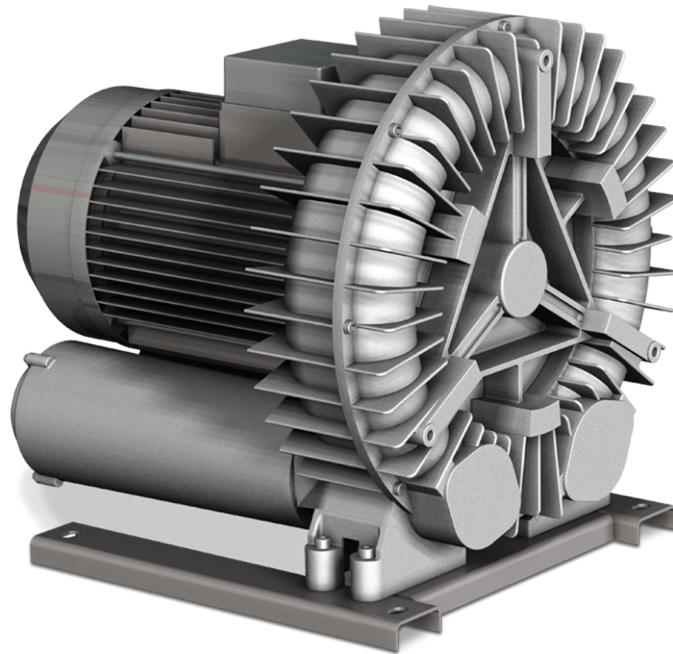


# SAMOS SI 1500/2200 E1

Side channel blowers



VACUUM SOLUTIONS



## Reliable

Robust and light-weight construction, effective air cooling, long lifetime, nearly maintenance-free, dry and contact-free operating principle, protection against overheating

## Flexible

Vacuum or overpressure operation, horizontal and vertical installation

## Quiet

Low noise level, fully enclosed unit, internal silencers

### Accessories

- Vacuum relief valves
- Pressure relief valves
- Additional silencers

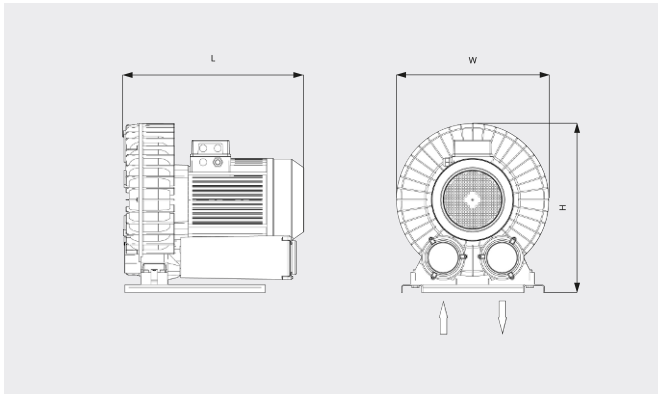
# SAMOS SI 1500/2200 E1

Side channel blowers



VACUUM SOLUTIONS

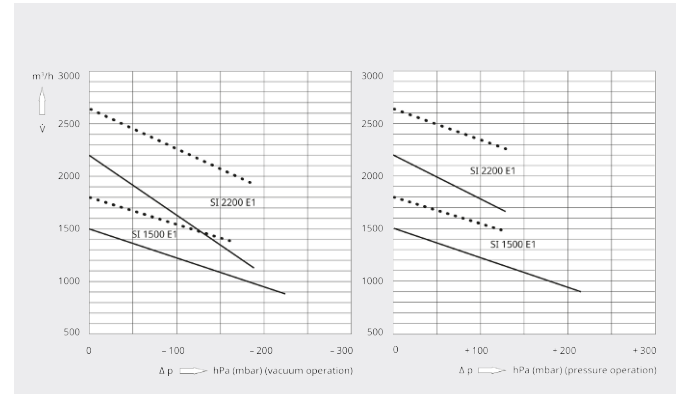
Dimensional drawing



Pumping speed/Volume flow

Air at 20°C. Tolerance: ± 10%

— 50 Hz ..... 60 Hz



|  | SAMOS SI 1500 E1                           | SAMOS SI 2200 E1                           |
|--|--|--|
| <b>Nominal pumping speed/volume flow</b>                 | 1500 / 1800 m <sup>3</sup> /h (50 / 60 Hz) | 2200 / 2640 m <sup>3</sup> /h (50 / 60 Hz) |
| <b>Max. differential pressure (vacuum version)</b>       | -225 / -155 hPa (mbar) (50 / 60 Hz)        | -185 / -180 hPa (mbar) (50 / 60 Hz)        |
| <b>Max. differential pressure (overpressure version)</b> | +210 / +125 hPa (mbar) (50 / 60 Hz)        | +130 hPa (mbar) (50 / 60 Hz)               |
| <b>Nominal motor rating</b>                              | 15.0 / 17.3 kW (50 / 60 Hz)                | 20.0 / 25.2 kW (50 / 60 Hz)                |
| <b>Nominal motor speed</b>                               | 3000 / 3600 min <sup>-1</sup> (50 / 60 Hz) | 3000 / 3600 min <sup>-1</sup> (50 / 60 Hz) |
| <b>Noise level (ISO 3744)</b>                            | 82 / 84 dB(A) (50 / 60 Hz)                 | 82 / 84 dB(A) (50 / 60 Hz)                 |
| <b>Weight approx.</b>                                    | 155 kg                                     | 166 kg                                     |
| <b>Dimensions (L x W x H)</b>                            | 654 x 570 x 633 mm                         | 739 x 600 x 610 mm                         |
| <b>Gas inlet / outlet</b>                                | G 4" / G 4"                                | Hose connection Ø 150 mm                   |

DO YOU WANT TO KNOW MORE?

Get in touch with us directly!



CONTACT FORM