

# SECO SD 1063-1100 B/C

Dry-running rotary vane compressors



VACUUM SOLUTIONS



## Compact

Direct-drive construction

## Reliable

Robust construction, proven performance, self-lubricating vanes, no operating fluids

## High performance

High performance Aerodur 274 Zirkon vanes, extended lifetime, extremely resistant to wear and humidity

### Accessories

- Inlet filter
- Non-return valve (exhaust)
- Hose nipple
- Pressure relief valve
- Vacuum regulation valve

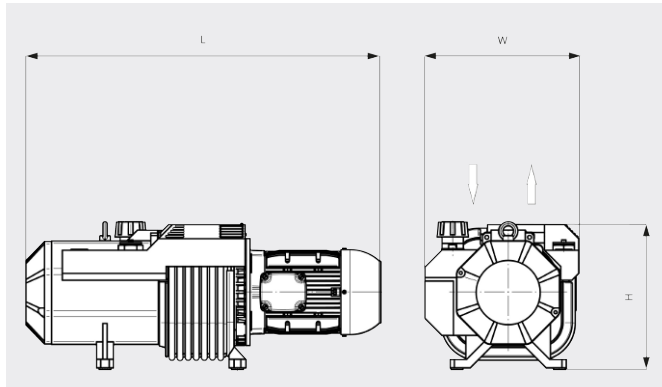
# SECO SD 1063-1100 B/C

Dry-running rotary vane compressors



VACUUM SOLUTIONS

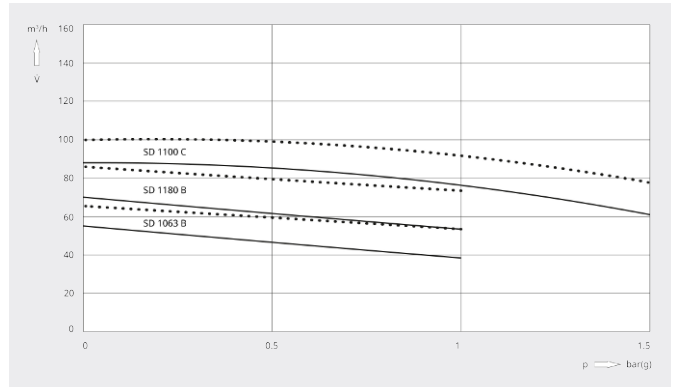
Dimensional drawing



Volume flow

Air at 20°C. Tolerance: ± 10%

— 50 Hz ..... 60 Hz



	SECO SD 1063 B	SECO SD 1080 B	SECO SD 1100 C
<b>Volume flow</b>	55 / 65 m³/h (50 / 60 Hz)	70 / 86 m³/h (50 / 60 Hz)	88 / 100 m³/h (50 / 60 Hz)
<b>Overpressure</b>	1.0 bar(g) (50 / 60 Hz)	1.0 bar(g) (50 / 60 Hz)	1.5 bar(g) (50 / 60 Hz)
<b>Nominal motor rating</b>	2.2 / 3.0 kW (50 / 60 Hz)	3.0 / 4.0 kW (50 / 60 Hz)	5.5 / 7.5 kW (50 / 60 Hz)
<b>Nominal motor speed</b>	1500 / 1800 min <sup>-1</sup> (50 / 60 Hz)	1500 / 1800 min <sup>-1</sup> (50 / 60 Hz)	1500 / 1800 min <sup>-1</sup> (50 / 60 Hz)
<b>Noise level (ISO 2151)</b>	75 / 76 dB(A) (50 / 60 Hz)	76 / 77 dB(A) (50 / 60 Hz)	77 / 78 dB(A) (50 / 60 Hz)
<b>Weight approx.</b>	82 kg	94 kg	140 kg
<b>Dimensions (L x W x H)</b>	763 x 428 x 342 mm	798 x 428 x 342 mm	849 x 375 x 346 mm
<b>Gas inlet / outlet</b>	G 1¼" / G 1¼"	G 1¼" / G 1¼"	G 1¼" / G 1¼"

DO YOU WANT TO KNOW MORE?

Get in touch with us directly!



CONTACT FORM