

TORRI BD 0100 A

Multi-Stage Rotary Lobe Vacuum Pumps



DISCOVER ALL ADVANTAGES
OF THE TORRI BD SERIES

Flexible

Shortest pump-down time for load lock chambers

Efficient

Extremely low energy consumption, minimal maintenance, high uptime

Compact

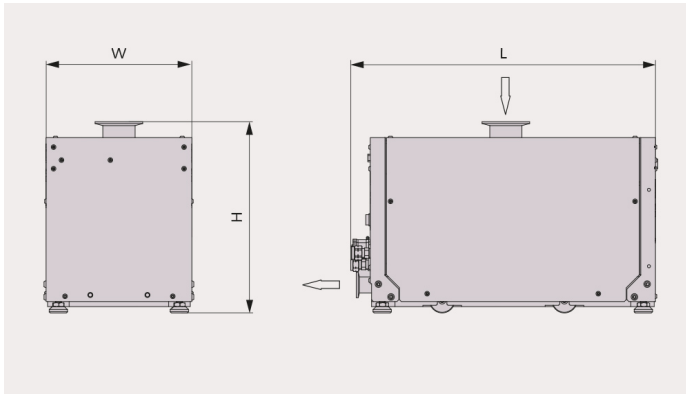
Extremely small and light-weight

TORRI BD 0100 A

Multi-Stage Rotary Lobe Vacuum Pumps

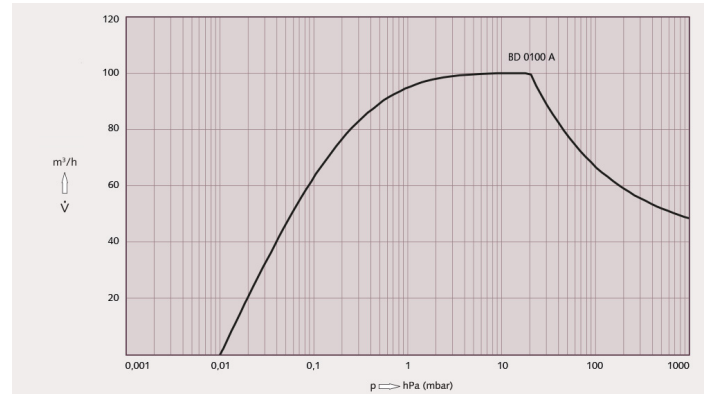


Dimensional drawing



Pumping speed

Air at 20 °C. Tolerance: ± 10% — 50 Hz .. 60 Hz



Technical data

US - 60 Hz

BD 0100 A	
Max. pumping speed	100 m ³ /h
Ultimate pressure	0.01 hPa (mbar)
Nominal motor rating	2.2 kW
Nominal motor speed	5500 min ⁻¹
Power consumption at ultimate pressure	0.4 kW
Sound level (ISO 2151)	< 60 dB(A)
Water consumption	min. 1.0 l/min
Approximate weight	60 kg
Dimensions (L x W x H)	450 x 230 x 275 mm
Gas inlet / Gas outlet	DN 50 KF / DN 25 KF

DO YOU WANT TO KNOW MORE?

Get in touch with us directly!

info@buschusa.com or +1 757 463 7800



CONTACT FORM



CALL NOW