

# TAPIR HL 1102 A

Leak Detectors



VACUUM SOLUTIONS



DISCOVER ALL ADVANTAGES  
OF THE TAPIR HL SERIES

## Portable

Compact, retractable handle, lightweight, integrated detachable control panel, can be operated at any position

## High performance

Highly sensitive leak detection, minimum detectable leakage rate of  $5 \cdot 10^{-12}$  mbar-l/s, for almost all applications, spray test and sniffing leak detection with helium or hydrogen

## Control and monitoring

High definition color display for maximum readability, intuitive menu navigation, SD memory card for saving and downloading all relevant data, customizable parameter settings

### Accessories and Spare Parts

- Helium gun kit
- Sniffing probe
- Transport trolley
- Inlet filter 5  $\mu$ m
- Inlet filter 40  $\mu$ m
- Transport box
- Power connection, 2.5 m, UK

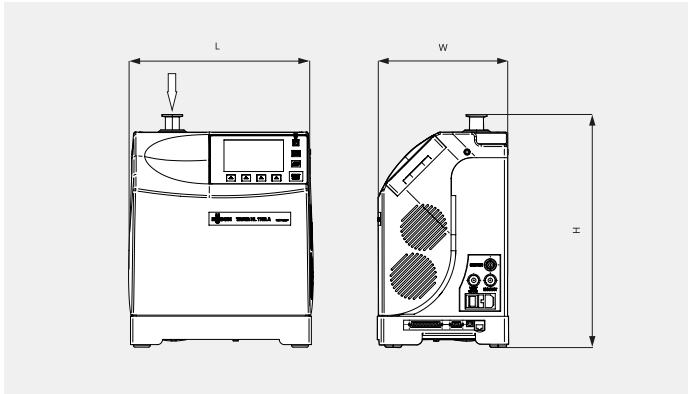
# TAPIR HL 1102 A

Leak Detectors



VACUUM SOLUTIONS

## Dimensional drawing



## Technical data

TAPIR HL 1102 A

**DO YOU WANT TO KNOW MORE?**

Get in touch with us directly!

[info@buschusa.com](mailto:info@buschusa.com) or 1-800-USA-PUMP



CONTACT FORM



CALL NOW