

# SECO SD 1010-1040 C

Dry-Running Rotary Vane Vacuum Pumps and Compressors

**BUSCH**  
VACUUM SOLUTIONS



DISCOVER ALL ADVANTAGES  
OF THE SECO SD SERIES

## Compact

Direct-drive construction

## Reliable

Robust construction, proven performance, self-lubricating vanes, no operating fluids

## High performance

High performance Aerodur 274 Zirkon vanes, extended lifetime, extremely resistant to wear and humidity

### Accessories and Spare Parts

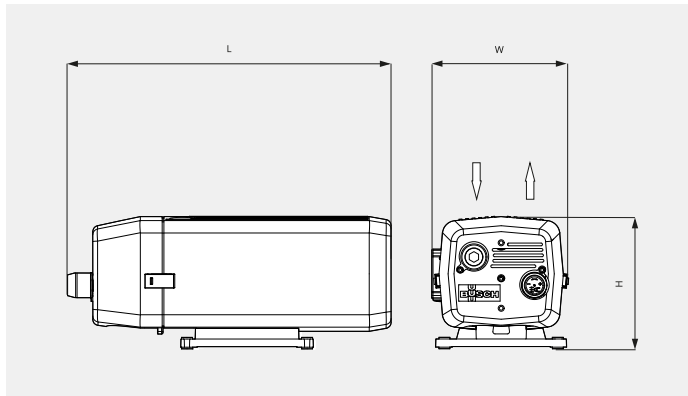
- Inlet filter
- Non-return valve (exhaust)
- Hose nipple
- Pressure relief valve
- Vacuum regulation valve

# SECO SD 1010-1040 C

Dry-Running Rotary Vane Vacuum Pumps and Compressors

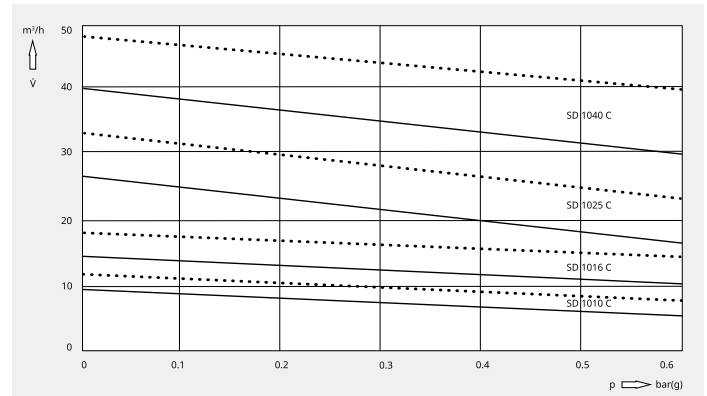


## Dimensional drawing



## Pumping speed

Air at 70 °F. Tolerance: ± 10% — 50 Hz -- 60 Hz



## Technical data

US - 60 Hz

	SD 1010 C	SD 1016 C	SD 1025 C	SD 1040 C
<b>Nominal pumping speed</b>	7.0 ACFM	11.2 ACFM	17.7 ACFM	28.3 ACFM
<b>Max. pressure (BP)</b>	0.45 Torr	0.45 Torr	0.45 Torr*	0.45* Torr
<b>Nominal motor rating</b>	0.37 / 0.50 HP	0.55 / 0.75 HP	0.9 / 1.2 HP	1.25 / 1.75 HP
<b>Nominal motor speed</b>	1800 RPM	1800 RPM	1800 RPM	1800 RPM
<b>Noise level (ISO 2151)</b>	62 dB(A)	63 dB(A)	66 dB(A)	70 dB(A)
<b>Approximate weight</b>	46 Lbs.	55 Lbs.	68 Lbs.	84 Lbs.
<b>Dimensions (L x W x H)</b>	18 1/8" x 9 5/6" x 8 4/5" inches	19" x 10" x 8 4/5" inches	21 1/3" x 11 1/8" x 9 2/3" inches	23 1/3" x 11 3/8" x 9 2/3" inches
<b>Gas inlet / outlet</b>	1/2" / 1/2" NPT	1/2" / 1/2" NPT	3/4" / 3/4" NPT	3/4" / 3/4"

\* 0.75 Torr version available on request

## DO YOU WANT TO KNOW MORE?

Get in touch with us directly!

[info@buschusa.com](mailto:info@buschusa.com) or 1-800-USA-PUMP



CONTACT FORM



CALL NOW