

DOLPHIN LX 0260-0430 C

Liquid Ring Vacuum Pumps



VACUUM SOLUTIONS



DISCOVER ALL ADVANTAGES
OF THE DOLPHIN LX SERIES

Robust

Proven technology, reliable operation, extremely high particle and vapor tolerance, corrosion-free stainless steel impeller

Compact

Directly flanged motor, no base frame required

Flexible

Choice of cast iron (EN-GJL-200) or 316 grade stainless steel material housings, ATEX-certified version available (Cat. 2 (i) IIB, T4), operating fluids other than water possible

Accessories and Spare Parts

- Partial or total recirculation systems
- Liquid separator
- Cavitation protection
- Heat exchanger
- Gas ejector
- Wide selection of motors
- Non-return valves
- Vacuum relief valves
- Different operating fluids possible

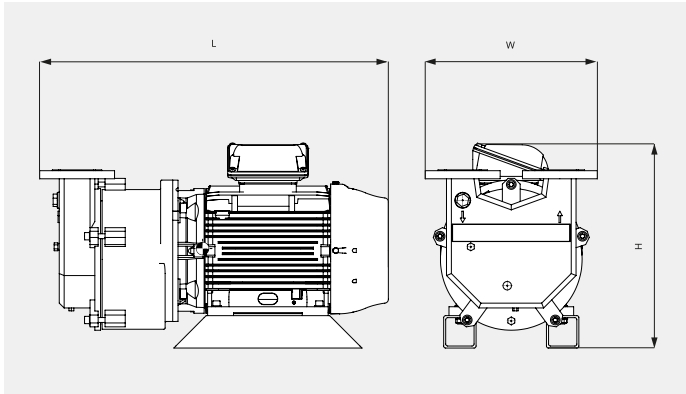
DOLPHIN LX 0260-0430 C

Liquid Ring Vacuum Pumps



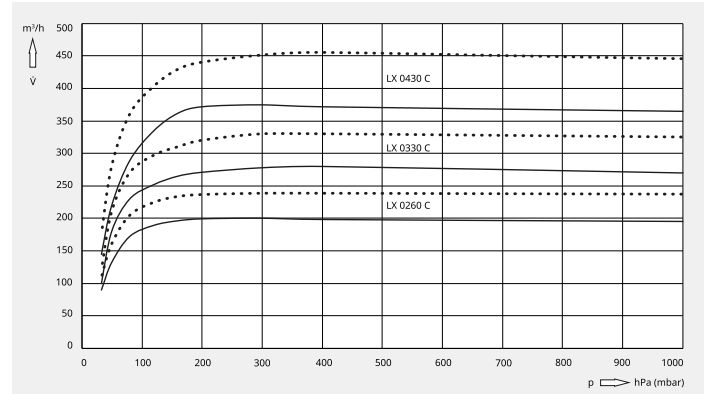
VACUUM SOLUTIONS

Dimensional drawing



Pumping speed

Air at 20 °C. Tolerance: ± 10% — 50 Hz — 60 Hz



Technical data

US - 60 Hz

	LX 0260 C	LX 0330 C	LX 0430 C
Nominal pumping speed	155 ACFM	191 ACFM	268 ACFM
Gas inlet / outlet (ANSI)	2" / 2"	2" / 2"	2 ½" / 2 ½" inches
Ultimate pressure	25 Torr	25 Torr	25 Torr
Nominal motor rating	7.5 (10) kW (HP)	11 (15) kW (HP)	15 (20) kW (HP)
Nominal motor speed	1800 RPM	1800 RPM	1800 RPM
Noise level (ISO 2151)	72 dB(A)	72	72 dB(A)
Approximate weight	256 Lbs.	291 Lbs.	437 Lbs.
Dimensions (L x W x H)	26 9/16 x 14 3/8 x 14 15/16 inches	27 1/2 x 14 3/8 x 14 15/16 inches	32 1/16 x 16 ¾ x 20 1/16 inches

DO YOU WANT TO KNOW MORE?

Get in touch with us directly!

info@buschusa.com or 1-800-USA-PUMP



CONTACT FORM



CALL NOW