

COBRA DS 2610-3161 A/E

Dry Screw Vacuum Pumps



VACUUM SOLUTIONS



DISCOVER ALL ADVANTAGES
OF THE COBRA DS SERIES

High performance

Advanced screw design, excellent running qualities, integrated vacuum booster, perfectly suited for chemical vapor deposition, rapid thermal processing or atomic layer deposition

Efficient

Low cost of ownership, minimal maintenance, long service intervals, high uptime, efficient indirect water cooling, high hydrogen throughput

Compact

Fit-in-place design, directly mounted canned motor, backing pump and vacuum booster combined on a compact base frame

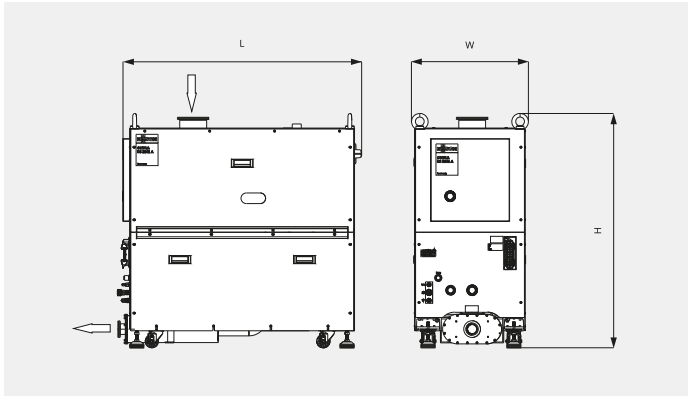
COBRA DS 2610-3161 A/E

Dry Screw Vacuum Pumps



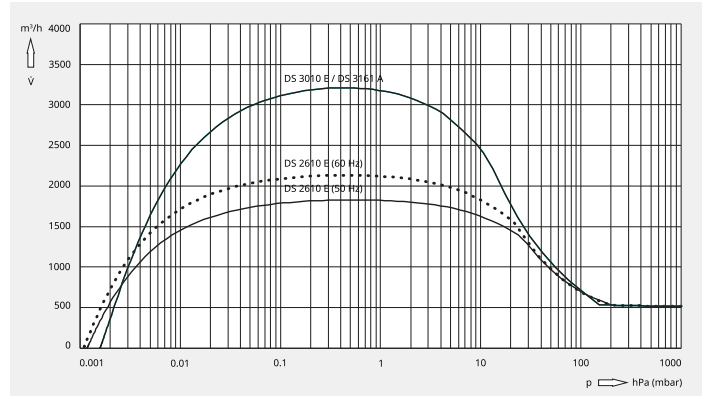
VACUUM SOLUTIONS

Dimensional drawing



Pumping speed

— 50 Hz -- 60 Hz



Technical data

US - 60 Hz

COBRA DS 2610 E

COBRA DS 3010 E

COBRA DS 3161 A

DO YOU WANT TO KNOW MORE?

Get in touch with us directly!

info@buschusa.com or 1-800-USA-PUMP



CONTACT FORM



CALL NOW