

SECO DC 0025 / 0040 C

Dry-Running Rotary Vane Vacuum Pumps and Compressors



DISCOVER ALL ADVANTAGES
OF THE SECO DC SERIES

Compact

Direct-drive construction

Reliable

Robust construction, proven performance, self-lubricating vanes, no operating fluids, specially designed for the printing industry

High performance

High performance Aerodur 274 Zirkon vanes, extended lifetime, extremely resistant to wear and humidity

Accessories and spare parts

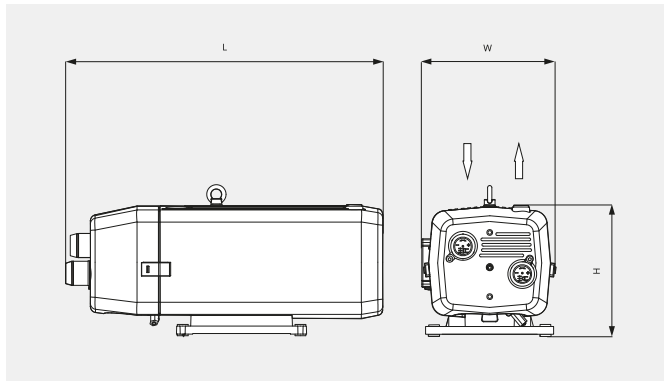
- Inlet filter
- Hose nipple

SECO DC 0025 / 0040 C

Dry-Running Rotary Vane Vacuum Pumps and Compressors

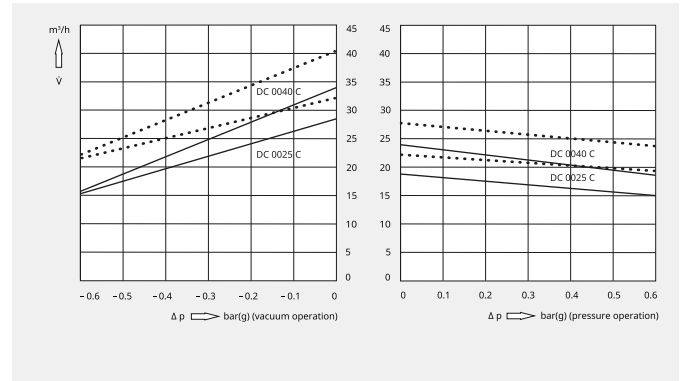


Dimensional drawing



Pumping speed

Air at 20 °C. Tolerance: ± 10% — 50 Hz — 60 Hz



Technical data

ISO - 50 Hz

	DC 0025 C	DC 0040 C
Pumping speed / Volume flow	25 m ³ /h	40 min ⁻¹
Vacuum	-0.6 bar	-0.6 bar
Overpressure	+0.6 bar	+0.6 bar
Nominal motor rating	1.1 kW	1.5 kW
Nominal motor speed	1500 min ⁻¹	1500 min ⁻¹
Noise level (ISO 2151)	66 dB(A)	67 dB(A)
Blast air temperature	55 °C	73 °C
Weight approx.	33 kg	40 kg
Dimensions (L x W x H)	542 x 251 x 246 mm	592 x 251 x 246 mm
Gas inlet / outlet	G 3/4" / G 3/4"	G 3/4" / G 3/4"

DO YOU WANT TO KNOW MORE?

Get in touch with us directly!

vakutek@ttmail.com or +90 (0)216 3100573



CONTACT FORM



CALL NOW