

SECO SV 1010–1040 C/D

Dry-running rotary vane vacuum pumps



Discover all advantages of the product series SECO SV

Compact

Direct-drive construction

Reliable

Robust construction, proven performance, self-lubricating vanes, no operating fluids

High performance

High performance Aerodur 274 Zirkon vanes, extended lifetime, extremely resistant to wear and humidity

Accessories

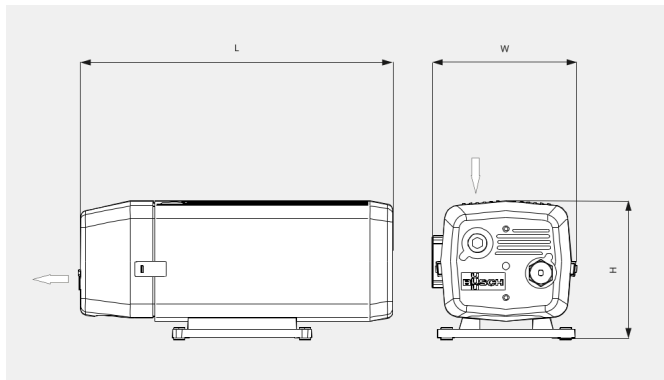
- Inlet filter
- Vacuum regulation valve
- Non-return valve (inlet)
- Hose nipple

SECO SV 1010–1040 C/D

Dry-running rotary vane vacuum pumps

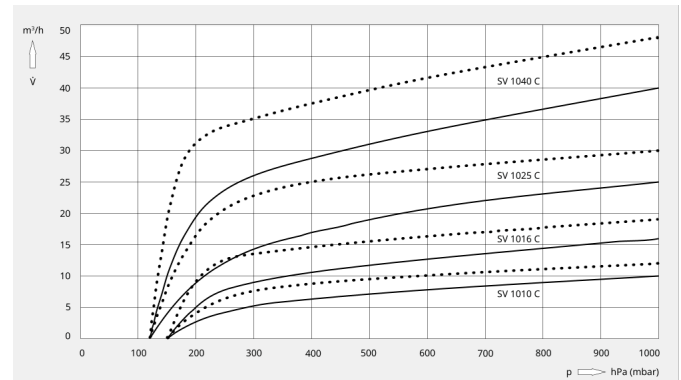


Dimensional drawing



Pumping speed

Air at 20 °C. Tolerance: ± 10%



The following technical values refer to ISO 50 Hz

	SECO SV 1010 C	SECO SV 1016 C	SECO SV 1025 C	SECO SV 1040 D
Nominal pumping speed	10 m³/h	16 m³/h	25 m³/h	40 m³/h
Ultimate pressure	150 hPa (mbar)	150 hPa (mbar)	120 hPa (mbar)	120 hPa (mbar)
Nominal motor rating	0.37 kW	0.55 kW	0.9 kW	1.25 kW
Nominal motor speed	1500 min ⁻¹	1500 min ⁻¹	1500 min ⁻¹	1500 min ⁻¹
Noise level (ISO 2151)	58 dB(A)	60 dB(A)	66 dB(A)	65 dB(A)
Weight approx.	21 kg	25 kg	33 kg	38 kg
Dimensions (L x W x H)	413 x 239 x 224 mm	440 x 239 x 224 mm	499 x 253 x 246 mm	554 x 257 x 246 mm
Gas inlet	G ½"	G ½"	G ¾"	G ¾"
Gas outlet	G ½"	G ½"	G ¾"	G ¾"

The following technical values refer to ISO 60 Hz

	SECO SV 1010 C	SECO SV 1016 C	SECO SV 1025 C	SECO SV 1040 D
Nominal pumping speed	12 m³/h	19 m³/h	30 m³/h	48 m³/h
Ultimate pressure	150 hPa (mbar)	150 hPa (mbar)	120 hPa (mbar)	120 hPa (mbar)
Nominal motor rating	0.37 kW	0.55 kW	0.9 kW	1.25 kW
Nominal motor speed	1800 min ⁻¹	1800 min ⁻¹	1800 min ⁻¹	1800 min ⁻¹
Noise level (ISO 2151)	61 dB(A)	65 dB(A)	65 dB(A)	64 dB(A)

SECO SV 1010–1040 C/D

Dry-running rotary vane vacuum pumps



	SECO SV 1010 C	SECO SV 1016 C	SECO SV 1025 C	SECO SV 1040 D
Weight approx.	21 kg	25 kg	33 kg	38 kg
Dimensions (L x W x H)	413 x 239 x 224 mm	440 x 239 x 224 mm	499 x 253 x 246 mm	554 x 257 x 246 mm
Gas inlet	G ½"	G ½"	G ¾"	G ¾"
Gas outlet	G ½"	G ½"	G ¾"	G ¾"

DO YOU WANT TO KNOW MORE

Please contact us!
sales@busch.co.nz or +64 (0)800 428 724



CONTACT FORM



CALL US NOW