

SECO SV 1008 C

Dry-running rotary vane vacuum pump



Discover all advantages of
the product series SECO SV

Compact

Direct-drive construction

Reliable

Robust construction, proven performance, self-lubricating vanes, no operating fluids

High performance

High uptime, high performance vanes

Accessories

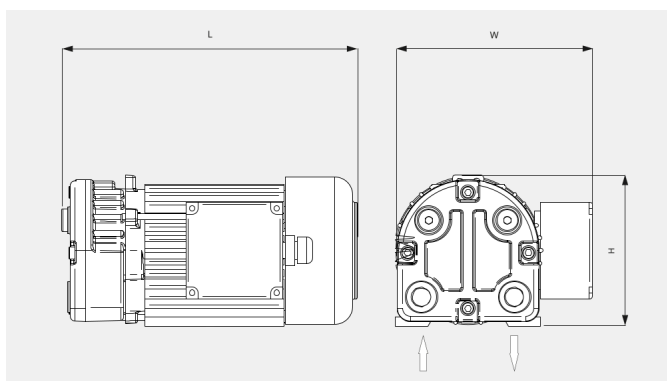
- Inlet filter
- Vacuum regulating unit
- Non-return valve (inlet)
- Hose nipple

SECO SV 1008 C

Dry-running rotary vane vacuum pump

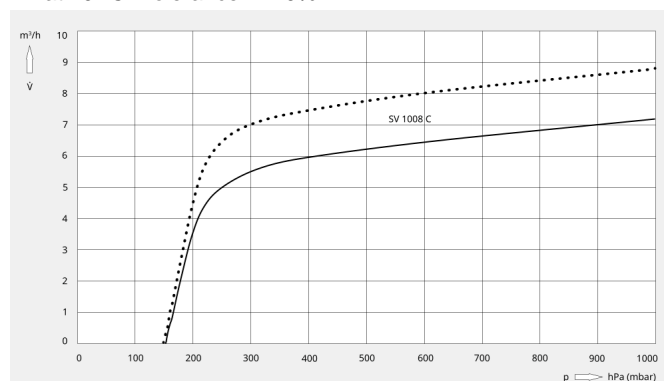


Dimensional drawing



Pumping speed

Air at 20 °C. Tolerance: $\pm 10\%$



The following technical values refer to ISO 50 Hz

SECO SV 1008 C	
Nominal pumping speed	7.3 m³/h
Ultimate pressure	150 hPa (mbar)
Nominal motor rating	0.25 kW
Nominal motor speed	3000 min ⁻¹
Noise level (ISO 2151)	63 dB(A)
Weight approx.	8.5 kg
Dimensions (L x W x H)	245 x 164 x 125 mm
Gas inlet	G #"
Gas outlet	G #"

The following technical values refer to ISO 60 Hz

SECO SV 1008 C	
Nominal pumping speed	8.8 m³/h
Ultimate pressure	150 hPa (mbar)
Nominal motor rating	0.30 kW
Nominal motor speed	3600 min ⁻¹
Noise level (ISO 2151)	66 dB(A)

SECO SV 1008 C

Dry-running rotary vane vacuum pump



SECO SV 1008 C	
Weight approx.	8.5 kg
Dimensions (L x W x H)	245 x 164 x 125 mm
Gas inlet	G #"
Gas outlet	G #"

DO YOU WANT TO KNOW MORE

Please contact us!
sales@busch.co.nz or +64 (0)800 428 724



CONTACT FORM



CALL US NOW