

SECO SD 1010–1040 C/D

Dry-running rotary vane compressors



Discover all advantages of
the product series SECO SD

Compact

Direct-drive construction

Reliable

Robust construction, proven performance, self-lubricating vanes, no operating fluids

High performance

High performance Aerodur 274 Zirkon vanes, extended lifetime, extremely resistant to wear and humidity

Accessories

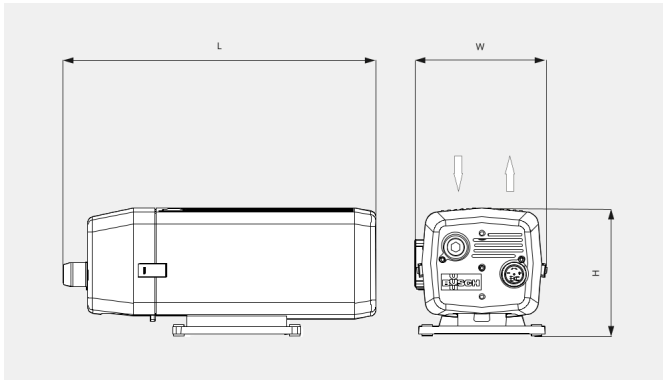
- Inlet filter
- Non-return valve (exhaust)
- Hose nipple
- Pressure relief valve

SECO SD 1010–1040 C/D

Dry-running rotary vane compressors

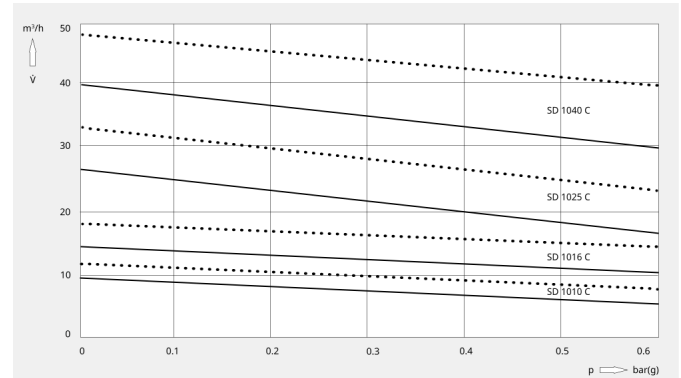


Dimensional drawing



Volume flow

Air at 20 °C. Tolerance: ± 10%



The following technical values refer to ISO 50 Hz

| | SECO SD 1010 C | SECO SD 1016 C | SECO SD 1025 C | SECO SD 1040 D |
|-------------------------------|------------------------|------------------------|------------------------|------------------------|
| Volume flow | 9 m³/h | 15 m³/h | 26 m³/h | 40 m³/h |
| Overpressure | 0.6 bar(g) | 0.6 bar(g) | 0.6 bar(g) | 0.6 bar(g) |
| Nominal motor rating | 0.37 kW | 0.55 kW | 0.9 kW | 1.25 kW |
| Nominal motor speed | 1500 min ⁻¹ | 1500 min ⁻¹ | 1500 min ⁻¹ | 1500 min ⁻¹ |
| Noise level (ISO 2151) | 56 dB(A) | 57 dB(A) | 64 dB(A) | 67 dB(A) |
| Weight approx. | 21 kg | 25 kg | 33 kg | 38 kg |
| Dimensions (L x W x H) | 413 x 239 x 224 mm | 440 x 239 x 224 mm | 499 x 253 x 246 mm | 554 x 257 x 246 mm |
| Gas inlet | G ½" | G ½" | G ¾" | G ¾" |
| Gas outlet | G ½" | G ½" | G ¾" | G ¾" |

The following technical values refer to ISO 60 Hz

| | SECO SD 1010 C | SECO SD 1016 C | SECO SD 1025 C | SECO SD 1040 D |
|-------------------------------|------------------------|------------------------|------------------------|------------------------|
| Volume flow | 12 m³/h | 18 m³/h | 33 m³/h | 48 m³/h |
| Overpressure | 0.6 bar(g) | 0.6 bar(g) | 0.6 bar(g) | 0.6 bar(g) |
| Nominal motor rating | 0.37 kW | 0.55 kW | 0.9 kW | 1.25 kW |
| Nominal motor speed | 1800 min ⁻¹ | 1800 min ⁻¹ | 1800 min ⁻¹ | 1800 min ⁻¹ |
| Noise level (ISO 2151) | 58 dB(A) | 60 dB(A) | 66 dB(A) | 70 dB(A) |

SECO SD 1010–1040 C/D

Dry-running rotary vane compressors



VACUUM SOLUTIONS

| | SECO SD 1010 C | SECO SD 1016 C | SECO SD 1025 C | SECO SD 1040 D |
|-------------------------------|--------------------|--------------------|--------------------|--------------------|
| Weight approx. | 21 kg | 25 kg | 33 kg | 38 kg |
| Dimensions (L x W x H) | 413 x 239 x 224 mm | 440 x 239 x 224 mm | 499 x 253 x 246 mm | 554 x 257 x 246 mm |
| Gas inlet | G ½" | G ½" | G ¾" | G ¾" |
| Gas outlet | G ½" | G ½" | G ¾" | G ¾" |

DO YOU WANT TO KNOW MORE

Please contact us!
sales@busch.co.nz or +64 (0)800 428 724



CONTACT FORM



CALL US NOW