

# SAMOS SB 0710–1400 D0

Side channel blowers



Discover all advantages of the product series SAMOS SB

## Reliable

Robust construction, effective air cooling, long lifetime, nearly maintenance-free, dry and contact-free operating principle

## Flexible

Vacuum or overpressure operation, horizontal and vertical installation, various design options and ATEX-certified versions available

## Quiet

Very low noise level, fully enclosed unit, internal silencers

### Accessories

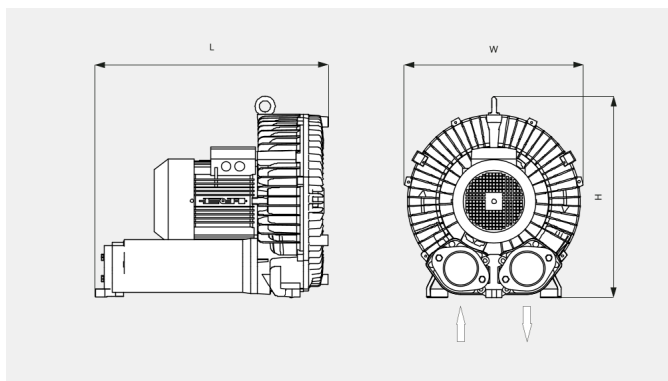
- Vacuum relief valves
- Pressure relief valves
- Additional silencers
- Thermal protection (bimetal switch or PTC-thermistor)

# SAMOS SB 0710–1400 D0

Side channel blowers

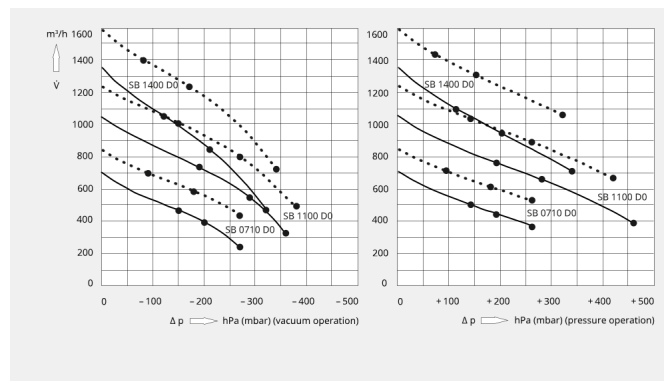


## Dimensional drawing



## Pumping speed/Volume flow

Air at 20 °C. Tolerance: ± 10%



The following technical values refer to ISO 50 Hz

	SAMOS SB 0710 D0 (A)	SAMOS SB 0710 D0 (B)	SAMOS SB 0710 D0 (C)
<b>Technology short name</b>	Side channel	Side channel	Side channel
<b>Nominal pumping speed/volume flow</b>	700 m <sup>3</sup> /h	700 m <sup>3</sup> /h	700 m <sup>3</sup> /h
<b>Max. differential pressure (vacuum version)</b>	-150 hPa (mbar)	-200 hPa (mbar)	-270 hPa (mbar)
<b>Max. differential pressure (overpressure version)</b>	+140 hPa (mbar)	+190 hPa (mbar)	+260 hPa (mbar)
<b>Max. operating power</b>	4.0 kW	5.5 kW	7.5 kW
<b>Efficiency class</b>	IE n.d.	IE n.d.	IE n.d.
<b>Service factor</b>	1.0	1.0	1.0
<b>Nominal motor speed</b>	2915 min <sup>-1</sup>	2900 min <sup>-1</sup>	2935 min <sup>-1</sup>
<b>Noise level (ISO 3744)</b>	69 dB(A)	71 dB(A)	71 dB(A)
<b>Weight approx.</b>	115 kg	118 kg	124 kg
<b>Dimensions (L x W x H)</b>	530 x 486 x 530 mm	551 x 486 x 530 mm	551 x 486 x 530 mm
<b>spring elements mandatory</b>	no	no	no
<b>Gas inlet</b>	G 2½"	G 2½"	G 2½"
<b>Gas outlet</b>	G 2½"	G 2½"	G 2½"

# SAMOS SB 0710–1400 D0

Side channel blowers



The following technical values refer to ISO 50 Hz

	SAMOS SB 1100 D0 (A)	SAMOS SB 1100 D0 (B)	SAMOS SB 1100 D0 (C)
<b>Technology short name</b>	Side channel	Side channel	Side channel
<b>Nominal pumping speed/volume flow</b>	1050 m <sup>3</sup> /h	1050 m <sup>3</sup> /h	1050 m <sup>3</sup> /h
<b>Max. differential pressure (vacuum version)</b>	-190 hPa (mbar)	-290 hPa (mbar)	-360 hPa (mbar)
<b>Max. differential pressure (overpressure version)</b>	+190 hPa (mbar)	+280 hPa (mbar)	+460 hPa (mbar)
<b>Max. operating power</b>	8.5 kW	12.5 kW	18.5 kW
<b>Efficiency class</b>	IE n.d.	IE n.d.	IE n.d.
<b>Service factor</b>	1.0	1.0	1.0
<b>Nominal motor speed</b>	2915 min <sup>-1</sup>	2920 min <sup>-1</sup>	2910 min <sup>-1</sup>
<b>Noise level (ISO 3744)</b>	71 dB(A)	74 dB(A)	74 dB(A)
<b>Weight approx.</b>	186 kg	202 kg	221 kg
<b>Dimensions (L x W x H)</b>	727 x 555 x 625 mm	727 x 555 x 625 mm	727 x 555 x 625 mm
<b>spring elements mandatory</b>	no	no	no
<b>Gas inlet</b>	G 4"	G 4"	G 4"
<b>Gas outlet</b>	G 4"	G 4"	G 4"

The following technical values refer to ISO 50 Hz

	SAMOS SB 1400 D0 (A)	SAMOS SB 1400 D0 (B)	SAMOS SB 1400 D0 (C)
<b>Technology short name</b>	Side channel	Side channel	Side channel
<b>Nominal pumping speed/volume flow</b>	1320 m <sup>3</sup> /h	1320 m <sup>3</sup> /h	1320 m <sup>3</sup> /h
<b>Max. differential pressure (vacuum version)</b>	-120 hPa (mbar)	-210 hPa (mbar)	-320 hPa (mbar)
<b>Max. differential pressure (overpressure version)</b>	+110 hPa (mbar)	+200 hPa (mbar)	+340 hPa (mbar)
<b>Max. operating power</b>	8.5 kW	12.5 kW	18.5 kW
<b>Efficiency class</b>	IE n.d.	IE n.d.	IE n.d.
<b>Service factor</b>	1.0	1.0	1.0

# SAMOS SB 0710–1400 D0

Side channel blowers



	SAMOS SB 1400 D0 (A)	SAMOS SB 1400 D0 (B)	SAMOS SB 1400 D0 (C)
Nominal motor speed	2915 min <sup>-1</sup>	2920 min <sup>-1</sup>	2910 min <sup>-1</sup>
Noise level (ISO 3744)	71 dB(A)	74 dB(A)	74 dB(A)
Weight approx.	157 kg	174 kg	193 kg
Dimensions (L x W x H)	727 x 555 x 625 mm	727 x 555 x 625 mm	727 x 555 x 625 mm
spring elements mandatory	no	no	no
Gas inlet	G 4"	G 4"	G 4"
Gas outlet	G 4"	G 4"	G 4"

The following technical values refer to ISO 60 Hz

	SAMOS SB 0710 D0 (A)	SAMOS SB 0710 D0 (B)	SAMOS SB 0710 D0 (C)
Technology short name	Side channel	Side channel	Side channel
Nominal pumping speed/volume flow	820 m <sup>3</sup> /h	820 m <sup>3</sup> /h	820 m <sup>3</sup> /h
Max. differential pressure (vacuum version)	-90 hPa (mbar)	-180 hPa (mbar)	-270 hPa (mbar)
Max. differential pressure (overpressure version)	+90 hPa (mbar)	+180 hPa (mbar)	+260 hPa (mbar)
Max. operating power	4.6 kW	6.3 kW	8.6 kW
Efficiency class	IE n.d.	IE n.d.	IE n.d.
Service factor	1.0	1.0	1.0
Nominal motor speed	3500 min <sup>-1</sup>	3450 min <sup>-1</sup>	3490 min <sup>-1</sup>
Noise level (ISO 3744)	71 dB(A)	75 dB(A)	75 dB(A)
Weight approx.	115 kg	118 kg	124 kg
Dimensions (L x W x H)	530 x 486 x 530 mm	551 x 486 x 530 mm	551 x 486 x 530 mm
spring elements mandatory	no	no	no
Gas inlet	G 2½"	G 2½"	G 2½"
Gas outlet	G 2½"	G 2½"	G 2½"

# SAMOS SB 0710–1400 D0

Side channel blowers



The following technical values refer to ISO 60 Hz

	SAMOS SB 1100 D0 (A)	SAMOS SB 1100 D0 (B)	SAMOS SB 1100 D0 (C)
<b>Technology short name</b>	Side channel	Side channel	Side channel
<b>Nominal pumping speed/volume flow</b>	1250 m <sup>3</sup> /h	1250 m <sup>3</sup> /h	1250 m <sup>3</sup> /h
<b>Max. differential pressure (vacuum version)</b>	-150 hPa (mbar)	-270 hPa (mbar)	-380 hPa (mbar)
<b>Max. differential pressure (overpressure version)</b>	+140 hPa (mbar)	+260 hPa (mbar)	+420 hPa (mbar)
<b>Max. operating power</b>	9.8 kW	14.5 kW	21.3 kW
<b>Efficiency class</b>	IE n.d.	IE n.d.	IE n.d.
<b>Service factor</b>	1.0	1.0	1.0
<b>Nominal motor speed</b>	3490 min <sup>-1</sup>	3500 min <sup>-1</sup>	3500 min <sup>-1</sup>
<b>Noise level (ISO 3744)</b>	75 dB(A)	78 dB(A)	78 dB(A)
<b>Weight approx.</b>	186 kg	202 kg	221 kg
<b>Dimensions (L x W x H)</b>	727 x 555 x 625 mm	727 x 555 x 625 mm	727 x 555 x 625 mm
<b>spring elements mandatory</b>	no	no	no
<b>Gas inlet</b>	G 4"	G 4"	G 4"
<b>Gas outlet</b>	G 4"	G 4"	G 4"

The following technical values refer to ISO 60 Hz

	SAMOS SB 1400 D0 (A)	SAMOS SB 1400 D0 (B)	SAMOS SB 1400 D0 (C)
<b>Technology short name</b>	Side channel	Side channel	Side channel
<b>Nominal pumping speed/volume flow</b>	1580 m <sup>3</sup> /h	1580 m <sup>3</sup> /h	1580 m <sup>3</sup> /h
<b>Max. differential pressure (vacuum version)</b>	-80 hPa (mbar)	-170 hPa (mbar)	-340 hPa (mbar)
<b>Max. differential pressure (overpressure version)</b>	+70 hPa (mbar)	+150 hPa (mbar)	+320 hPa (mbar)
<b>Max. operating power</b>	9.8 kW	14.5 kW	21.3 kW
<b>Efficiency class</b>	IE n.d.	IE n.d.	IE n.d.
<b>Service factor</b>	1.0	1.0	1.0

# SAMOS SB 0710–1400 D0

Side channel blowers



	SAMOS SB 1400 D0 (A)	SAMOS SB 1400 D0 (B)	SAMOS SB 1400 D0 (C)
<b>Nominal motor speed</b>	3490 min <sup>-1</sup>	3500 min <sup>-1</sup>	3500 min <sup>-1</sup>
<b>Noise level (ISO 3744)</b>	75 dB(A)	78 dB(A)	78 dB(A)
<b>Weight approx.</b>	157 kg	174 kg	193 kg
<b>Dimensions (L x W x H)</b>	727 x 555 x 625 mm	727 x 555 x 625 mm	727 x 555 x 625 mm
<b>spring elements mandatory</b>	no	no	no
<b>Gas inlet</b>	G 4"	G 4"	G 4"
<b>Gas outlet</b>	G 4"	G 4"	G 4"

**DO YOU WANT TO KNOW MORE**

Please contact us!  
sales@busch.co.nz or +64 (0)800 428 724



CONTACT FORM



CALL US NOW