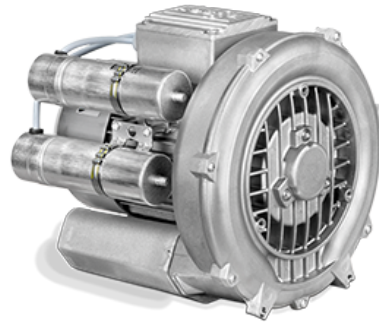


# SAMOS SB 0050–0200 D0

Side channel blowers



Discover all advantages of the product series SAMOS SB

## Reliable

Robust and light-weight construction, effective air cooling, long lifetime, nearly maintenance-free, dry and contact-free operating principle

## Flexible

Vacuum or overpressure operation, horizontal and vertical installation, various design options and ATEX-certified versions available

## Quiet

Very low noise level, fully enclosed unit, internal silencers

### Accessories

- Vacuum relief valves
- Pressure relief valves
- Additional silencers
- Thermal protection (bimetal switch or PTC-thermistor)
- Inlet filter for vacuum or pressure operation

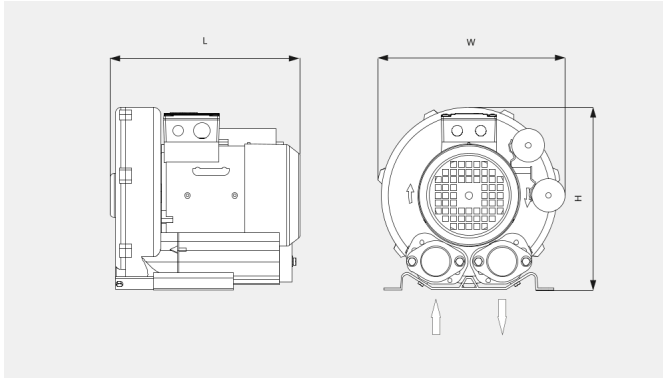
# SAMOS SB 0050–0200 D0

Side channel blowers



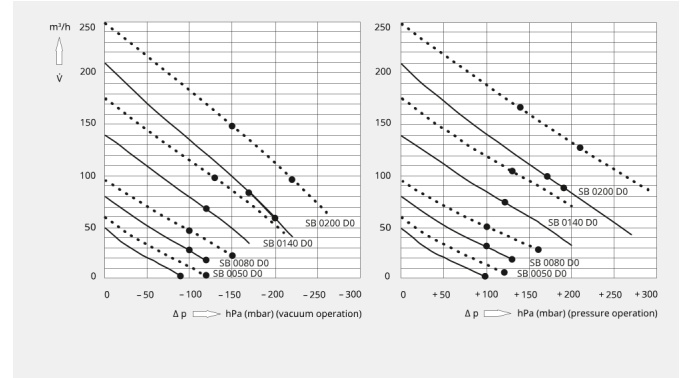
VACUUM SOLUTIONS

## Dimensional drawing



## Pumping speed/Volume flow

Air at 20 °C. Tolerance: ± 10%



The following technical values refer to ISO 50 Hz

	SAMOS SB 0050 D0	SAMOS SB 0080 D0 (A)	SAMOS SB 0080 D0 (B)
<b>Technology short name</b>	Side channel	Side channel	Side channel
<b>Nominal pumping speed/volume flow</b>	50 m <sup>3</sup> /h	80 m <sup>3</sup> /h	80 m <sup>3</sup> /h
<b>Max. differential pressure (vacuum version)</b>	-90 hPa (mbar)	-100 hPa (mbar)	-120 hPa (mbar)
<b>Max. differential pressure (overpressure version)</b>	+100 hPa (mbar)	+100 hPa (mbar)	+130 hPa (mbar)
<b>Max. operating power</b>	0.2 kW	0.25 kW	0.4 kW
<b>Efficiency class</b>	IE n.d.	IE n.d.	IE n.d.
<b>Service factor</b>	1.0	1.25	1.1
<b>Nominal motor speed</b>	2835 min <sup>-1</sup>	2800 min <sup>-1</sup>	2770 min <sup>-1</sup>
<b>Noise level (ISO 3744)</b>	50 dB(A)	51 dB(A)	58 dB(A)
<b>Weight approx.</b>	10 kg	9 kg	11 kg
<b>Dimensions (L x W x H)</b>	229 x 247 x 247 mm	229 x 247 x 247 mm	256 x 247 x 247 mm
<b>spring elements mandatory</b>	no	no	no
<b>Gas inlet</b>	G 1¼"	G 1¼"	G 1¼"
<b>Gas outlet</b>	G 1¼"	G 1¼"	G 1¼"

# SAMOS SB 0050–0200 D0

Side channel blowers



The following technical values refer to ISO 50 Hz

	SAMOS SB 0140 D0	SAMOS SB 0200 D0 (A)	SAMOS SB 0200 D0 (B)
Technology short name	Side channel	Side channel	Side channel
Nominal pumping speed/volume flow	140 m <sup>3</sup> /h	210 m <sup>3</sup> /h	210 m <sup>3</sup> /h
Max. differential pressure (vacuum version)	-120 hPa (mbar)	-170 hPa (mbar)	-230 hPa (mbar)
Max. differential pressure (overpressure version)	+120 hPa (mbar)	+170 hPa (mbar)	+220 hPa (mbar)
Max. operating power	0.7 kW	1.3 kW	1.75 kW
Efficiency class	IE n.d.	IE3	IE3
Service factor	1.1	1.15	1.15
Nominal motor speed	2740 min <sup>-1</sup>	2885 min <sup>-1</sup>	2910 min <sup>-1</sup>
Noise level (ISO 3744)	63 dB(A)	60 dB(A)	64 dB(A)
Weight approx.	14 kg	26 kg	32 kg
Dimensions (L x W x H)	269 x 285 x 355 mm	317 x 334 x 388 mm	352 x 334 x 388 mm
spring elements mandatory	no	no	no
Gas inlet	G 1½"	G 2"	G 2"
Gas outlet	G 1½"	G 2"	G 2"

The following technical values refer to ISO 60 Hz

	SAMOS SB 0050 D0	SAMOS SB 0080 D0 (A)	SAMOS SB 0080 D0 (B)
Technology short name	Side channel	Side channel	Side channel
Nominal pumping speed/volume flow	60 m <sup>3</sup> /h	96 m <sup>3</sup> /h	96 m <sup>3</sup> /h
Max. differential pressure (vacuum version)	-120 hPa (mbar)	-100 hPa (mbar)	-150 hPa (mbar)
Max. differential pressure (overpressure version)	+120 hPa (mbar)	+100 hPa (mbar)	+160 hPa (mbar)
Max. operating power	0.23 kW	0.29 kW	0.5 kW
Efficiency class	IE n.d.	IE n.d.	IE n.d.
Service factor	1.0	1.25	1.1

# SAMOS SB 0050–0200 D0

Side channel blowers



	SAMOS SB 0050 D0	SAMOS SB 0080 D0 (A)	SAMOS SB 0080 D0 (B)
Nominal motor speed	3425 min <sup>-1</sup>	3360 min <sup>-1</sup>	3360 min <sup>-1</sup>
Noise level (ISO 3744)	53 dB(A)	55 dB(A)	60 dB(A)
Weight approx.	10 kg	9 kg	11 kg
Dimensions (L x W x H)	229 x 247 x 247 mm	229 x 247 x 247 mm	256 x 247 x 247 mm
spring elements mandatory	no	no	no
Gas inlet	G 1¼"	G 1¼"	G 1¼"
Gas outlet	G 1¼"	G 1¼"	G 1¼"

The following technical values refer to ISO 60 Hz

	SAMOS SB 0140 D0	SAMOS SB 0200 D0 (A)	SAMOS SB 0200 D0 (B)
Technology short name	Side channel	Side channel	Side channel
Nominal pumping speed/volume flow	175 m <sup>3</sup> /h	250 m <sup>3</sup> /h	250 m <sup>3</sup> /h
Max. differential pressure (vacuum version)	-130 hPa (mbar)	-150 hPa (mbar)	-210 hPa (mbar)
Max. differential pressure (overpressure version)	+130 hPa (mbar)	+140 hPa (mbar)	+200 hPa (mbar)
Max. operating power	0.83 kW	1.6 kW	2 kW
Efficiency class	IE n.d.	IE3	IE3
Service factor	1.1	1.15	1.15
Nominal motor speed	3340 min <sup>-1</sup>	3480 min <sup>-1</sup>	3510 min <sup>-1</sup>
Noise level (ISO 3744)	64 dB(A)	69 dB(A)	72 dB(A)
Weight approx.	14 kg	26 kg	32 kg
Dimensions (L x W x H)	269 x 285 x 355 mm	317 x 334 x 388 mm	352 x 334 x 388 mm
spring elements mandatory	no	no	no
Gas inlet	G 1½"	G 2"	G 2"
Gas outlet	G 1½"	G 2"	G 2"

## DO YOU WANT TO KNOW MORE

Please contact us!  
sales@busch.co.nz or +64 (0)800 428 724



CONTACT FORM



CALL US NOW