

R5 RB/RC 0021 C

Oil-lubricated rotary vane vacuum pumps



Discover all advantages of the product series R5 RB

Compact

Reduced height and weight, ideal for installations in confined spaces

Reliable

Robust construction, highly durable fiber-reinforced epoxy resin vanes, proven rotary vane technology, long service life

Flexible

Various design options available, easy adaption to individual customer requirements and processes

Accessories

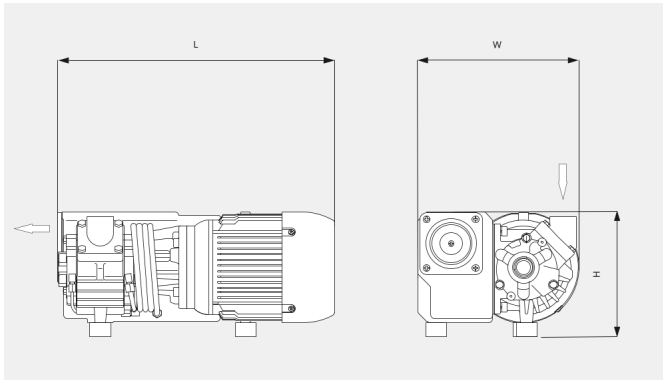
- Gas-ballast valve
- Various inlet filters
- Filter pressure gauge
- Vacuum pump oils for all applications
- Vacuum regulating unit

R5 RB/RC 0021 C

Oil-lubricated rotary vane vacuum pumps

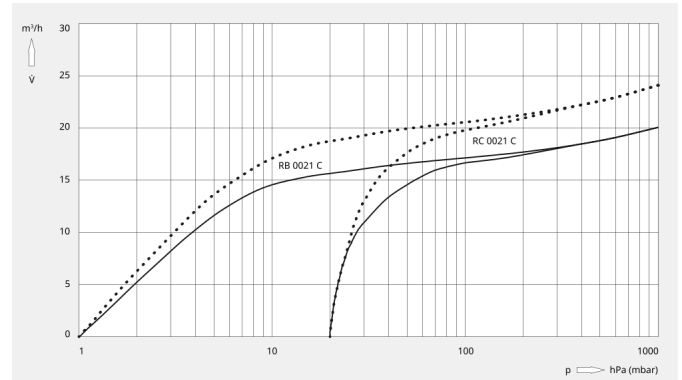


Dimensional drawing



Pumping speed

Air at 20 °C. Tolerance: ± 10%



The following technical values refer to ISO 50 Hz

	R5 RB 0021 C	R5 RC 0021 C
Nominal pumping speed	20 m³/h	20 m³/h
Ultimate pressure	1.0 hPa (mbar)	20.0 hPa (mbar)
Nominal motor rating	0.75 kW	0.75 kW
Nominal motor speed	3000 min ⁻¹	3000 min ⁻¹
Sound pressure level (ISO 2151)	66 dB(A)	66 dB(A)
Oil capacity	0.45 l	0.45 l
Weight approx.	20 kg	20 kg
Dimensions (L x W x H)	401 x 229 x 180 mm	401 x 229 x 180 mm
Gas outlet	–	–
Gas inlet	G ½"	G ½"

The following technical values refer to ISO 60 Hz

	R5 RB 0021 C	R5 RC 0021 C
Nominal pumping speed	24 m³/h	24 m³/h
Ultimate pressure	1.0 hPa (mbar)	20.0 hPa (mbar)
Nominal motor rating	0.9 kW	0.9 kW
Nominal motor speed	3600 min ⁻¹	3600 min ⁻¹

R5 RB/RC 0021 C

Oil-lubricated rotary vane vacuum pumps



VACUUM SOLUTIONS

	R5 RB 0021 C	R5 RC 0021 C
Sound pressure level (ISO 2151)	72 dB(A)	72 dB(A)
Oil capacity	0.45 l	0.45 l
Weight approx.	20 kg	20 kg
Dimensions (L x W x H)	401 x 229 x 180 mm	401 x 229 x 180 mm
Gas outlet	–	–
Gas inlet	G ½"	G ½"

DO YOU WANT TO KNOW MORE

Please contact us!
sales@busch.co.nz or +64 (0)800 428 724



CONTACT FORM



CALL US NOW