

R5 RA 1000/1600 B

Oil-lubricated rotary vane vacuum pumps



Discover all advantages of the product series R5 RA

Reliable

Robust construction, highly resilient carbon fiber vanes, proven rotary vane technology, long service life

High performance

High pumping speed at low pressures, designed for continuous operation

Flexible

Various design options available, easy adaption to individual customer requirements and processes, level and temperature switch as standard

Accessories

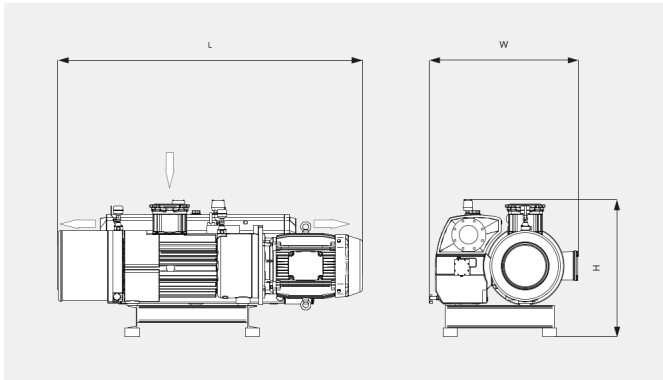
- IEC (IE3) and NEMA motors
- Multi-voltage, multi-frequency motors (IE3)
- Optional variable speed drive
- Single or double gas-ballast valve, manual or solenoid operation
- Various inlet filters
- Inlet filter pressure gauge
- Various temperature and pressure gauges
- Starter units
- Oil mist separator
- Energy recuperation kit with heat exchanger
- Vacuum pump oils for all applications

R5 RA 1000/1600 B

Oil-lubricated rotary vane vacuum pumps

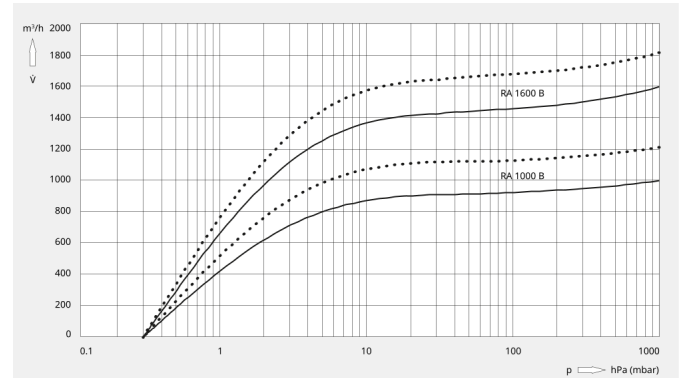


Dimensional drawing



Pumping speed

Air at 20 °C. Tolerance: ± 10%



The following technical values refer to ISO 50 Hz

	R5 RA 1000 B	R5 RA 1600 B
Nominal pumping speed	1000 m³/h	1600 m³/h
Ultimate pressure	0.3 hPa (mbar)	0.3 hPa (mbar)
Nominal motor rating	22.0 kW	30.0 kW
Nominal motor speed	1000 min ⁻¹	1000 min ⁻¹
Power consumption at 100 mbar	17.3 kW	26.8 kW
Power consumption at ultimate pressure	9.3 kW	13.8 kW
Noise level (ISO 2151)	82 dB(A)	83 dB(A)
Oil capacity	30 l	30 l
Weight approx.	1000 kg	1330 kg
Dimensions (L x W x H)	1894 x 1003 x 936 mm	2234 x 1040 x 936 mm
Gas outlet	DN 125	DN 125
Gas inlet	DN 150	DN 150

The following technical values refer to ISO 60 Hz

	R5 RA 1000 B	R5 RA 1600 B
Nominal pumping speed	1200 m³/h	1800 m³/h
Ultimate pressure	0.3 hPa (mbar)	0.3 hPa (mbar)

R5 RA 1000/1600 B

Oil-lubricated rotary vane vacuum pumps



	R5 RA 1000 B	R5 RA 1600 B
Nominal motor rating	30.0 kW	37.0 kW
Nominal motor speed	1200 min ⁻¹	1200 min ⁻¹
Power consumption at 100 mbar	22.4 kW	33.0 kW
Power consumption at ultimate pressure	12.1 kW	17.9 kW
Noise level (ISO 2151)	82 dB(A)	83 dB(A)
Oil capacity	30 l	30 l
Weight approx.	1060 kg	1350 kg
Dimensions (L x W x H)	1894 x 1003 x 936 mm	2234 x 1040 x 936 mm
Gas outlet	DN 125	DN 125
Gas inlet	DN 150	DN 150

DO YOU WANT TO KNOW MORE

Please contact us!
sales@busch.co.nz or +64 (0)800 428 724



CONTACT FORM



CALL US NOW