

R5 RA 0165–0305 D

Oil-lubricated rotary vane vacuum pumps



Discover all advantages of the product series R5 RA

Reliable

Robust construction, highly resilient carbon fiber vanes, proven rotary vane technology, long service life

High performance

High pumping speed at low pressures, designed for continuous operation in the rough vacuum range

Flexible

Various design options available, easy adaption to individual customer requirements and processes

Accessories

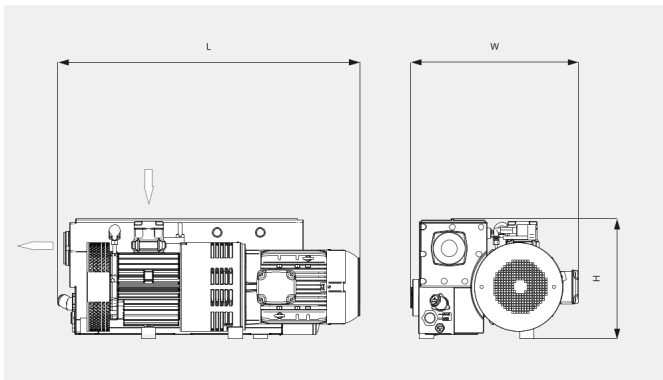
- Gas-ballast valve
- Various inlet filters
- Energy recuperation kit with heat exchanger
- Oil level switch
- Temperature sensors
- Filter pressure gauge
- Vacuum pump oils for all applications
- Vacuum regulating unit

R5 RA 0165–0305 D

Oil-lubricated rotary vane vacuum pumps

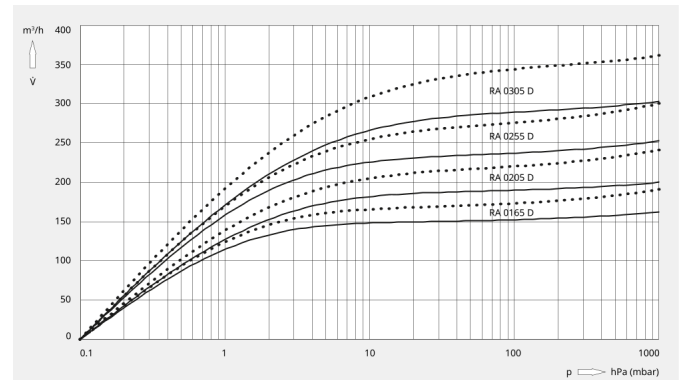


Dimensional drawing



Pumping speed

Air at 20 °C. Tolerance: ± 10%



The following technical values refer to ISO 50 Hz

	R5 RA 0165 D	R5 RA 0205 D	R5 RA 0255 D	R5 RA 0305 D
Nominal pumping speed	160 m³/h	200 m³/h	250 m³/h	300 m³/h
Ultimate pressure (gas-ballast valve closed)	0.1 hPa (mbar)	0.1 hPa (mbar)	0.1 hPa (mbar)	0.1 hPa (mbar)
Ultimate pressure (gas-ballast valve open)	0.5 hPa (mbar)	0.5 hPa (mbar)	0.5 hPa (mbar)	0.5 hPa (mbar)
Nominal motor rating	5.5 kW	5.5 kW	7.5 kW	8.3 kW
Nominal motor speed	1500 min ⁻¹	1500 min ⁻¹	1500 min ⁻¹	1500 min ⁻¹
Power consumption at 100 mbar	3.7 kW	4.2 kW	5.5 kW	6.1 kW
Power consumption at ultimate pressure	2.4 kW	3.3 kW	4.1 kW	4.7 kW
Noise level (ISO 2151)	70 dB(A)	72 dB(A)	72 dB(A)	74 dB(A)
Oil capacity	6.5 l	6.5 l	6.5 l	6.5 l
Weight approx.	160 kg	160 kg	195 kg	195 kg
Dimensions (L x W x H)	977 x 583 x 418 mm	977 x 583 x 418 mm	1056 x 583 x 418 mm	1057 x 583 x 418 mm
Gas outlet	G 2"	G 2"	G 2"	G 2"
Gas inlet	G 2"	G 2"	G 2"	G 2"

R5 RA 0165–0305 D

Oil-lubricated rotary vane vacuum pumps



VACUUM SOLUTIONS

The following technical values refer to ISO 60 Hz

	R5 RA 0165 D	R5 RA 0205 D	R5 RA 0255 D	R5 RA 0305 D
Nominal pumping speed	190 m ³ /h	240 m ³ /h	300 m ³ /h	360 m ³ /h
Ultimate pressure (gas-ballast valve closed)	0.1 hPa (mbar)	0.1 hPa (mbar)	0.1 hPa (mbar)	0.1 hPa (mbar)
Ultimate pressure (gas-ballast valve open)	0.5 hPa (mbar)	0.5 hPa (mbar)	0.5 hPa (mbar)	0.5 hPa (mbar)
Nominal motor rating	6.6 kW	6.6 kW	9.2 kW	10.0 kW
Nominal motor speed	1800 min ⁻¹	1800 min ⁻¹	1800 min ⁻¹	1800 min ⁻¹
Power consumption at 100 mbar	4.7 kW	5.2 kW	6.6 kW	7.2 kW
Power consumption at ultimate pressure	2.9 kW	4.0 kW	4.5 kW	5.1 kW
Noise level (ISO 2151)	72 dB(A)	74 dB(A)	74 dB(A)	76 dB(A)
Oil capacity	6.5 l	6.5 l	6.5 l	6.5 l
Weight approx.	160 kg	160 kg	195 kg	195 kg
Dimensions (L x W x H)	977 x 583 x 418 mm	977 x 583 x 418 mm	1056 x 583 x 418 mm	1057 x 583 x 418 mm
Gas outlet	G 2"	G 2"	G 2"	G 2"
Gas inlet	G 2"	G 2"	G 2"	G 2"

DO YOU WANT TO KNOW MORE

Please contact us!
sales@busch.co.nz or +64 (0)800 428 724



CONTACT FORM



CALL US NOW