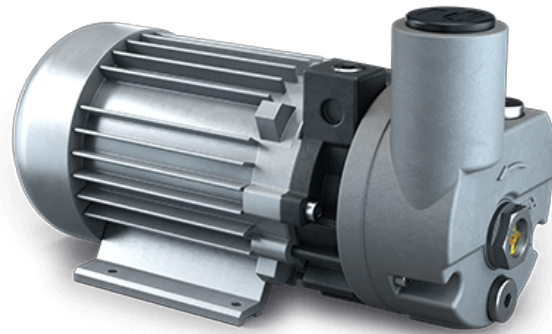


R5 PB 0004/0008 C

Oil-lubricated rotary vane vacuum pumps



Discover all advantages of the product series R5 PB

Compact

Block construction, reduced height and weight, ideal for installations in confined spaces

Reliable

Robust construction, highly durable vanes, proven rotary vane technology, long service life

Quiet

Low noise level, ideal for use in deli counters or restaurants

Accessories

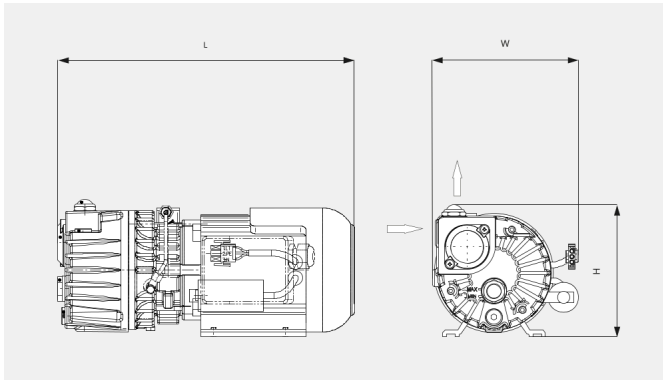
- Gas-ballast valve (for R 5 PB 0008 C only)
- Various inlet filters
- Vacuum pump oils for all applications

R5 PB 0004/0008 C

Oil-lubricated rotary vane vacuum pumps

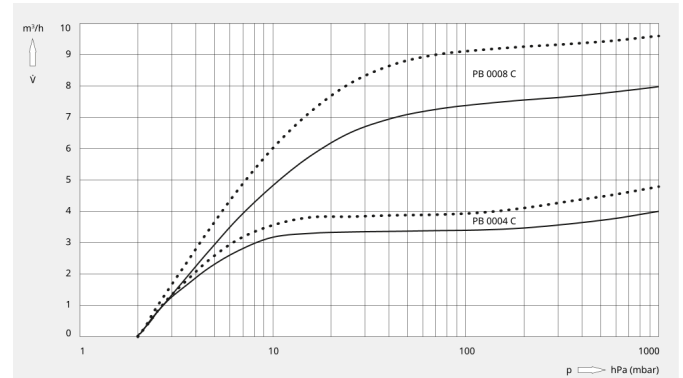


Dimensional drawing



Pumping speed

Air at 20 °C. Tolerance: ± 10%



The following technical values refer to ISO 50 Hz

	R5 PB 0004 C	R5 PB 0008 C
Nominal pumping speed	4.0 m ³ /h	8.0 m ³ /h
Ultimate pressure	2.0 hPa (mbar)	2.0 hPa (mbar)
Nominal motor rating	0.1 kW	0.35 kW
Nominal motor speed	3000 min ⁻¹	3000 min ⁻¹
Noise level (ISO 2151)	56 dB(A)	60 dB(A)
Oil capacity	0.06 l	0.25 l
Weight approx.	5.2 kg	10.3 kg
Dimensions (L x W x H)	231 x 133 x 141 mm	330 x 164 x 152 mm
Gas outlet	–	–
Gas inlet	G ¼	G #"

The following technical values refer to ISO 60 Hz

	R5 PB 0004 C	R5 PB 0008 C
Nominal pumping speed	4.8 m ³ /h	9.6 m ³ /h
Ultimate pressure	2.0 hPa (mbar)	2.0 hPa (mbar)
Nominal motor rating	0.12 kW	0.45 kW
Nominal motor speed	3600 min ⁻¹	3600 min ⁻¹

R5 PB 0004/0008 C

Oil-lubricated rotary vane vacuum pumps



VACUUM SOLUTIONS

	R5 PB 0004 C	R5 PB 0008 C
Noise level (ISO 2151)	61 dB(A)	64 dB(A)
Oil capacity	0.06 l	0.25 l
Weight approx.	5.2 kg	10.3 kg
Dimensions (L x W x H)	231 x 133 x 141 mm	330 x 164 x 152 mm
Gas outlet	–	–
Gas inlet	G ¼	G #"

DO YOU WANT TO KNOW MORE

Please contact us!
sales@busch.co.nz or +64 (0)800 428 724



CONTACT FORM



CALL US NOW