

R5 KD 0012/0020 A

Oil-lubricated rotary vane vacuum pumps



VACUUM SOLUTIONS



Discover all advantages of the product series R5 KD

Compact

Direct-drive construction, reduced height and weight, specially designed for small packaging machines

Reliable

High vapor tolerance, excellent condensation protection, optimum temperature management

Easy servicing

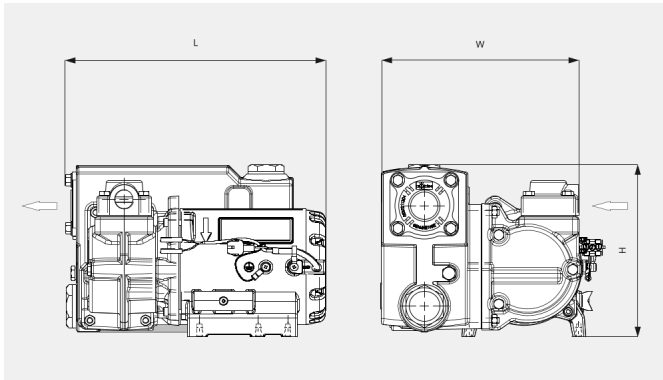
Fast service routine, long service intervals, smooth surface design for easy cleaning

R5 KD 0012/0020 A

Oil-lubricated rotary vane vacuum pumps

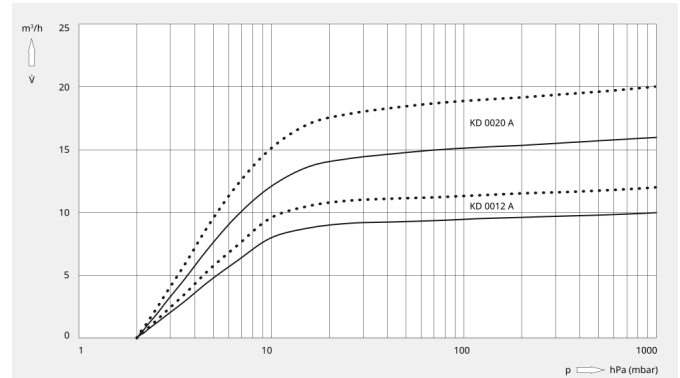


Dimensional drawing



Pumping speed

Air at 20 °C. Tolerance: ± 10%



The following technical values refer to ISO 50 Hz

	R5 KD 0012 A	R5 KD 0020 A
Nominal pumping speed	10 m³/h	16 m³/h
Ultimate pressure	2.0 hPa (mbar)	2.0 hPa (mbar)
Nominal motor rating	0.37 kW	0.55 kW
Nominal motor speed	3000 min ⁻¹	3000 min ⁻¹
Noise level (ISO 2151)	59 dB(A)	59 dB(A)
Oil capacity	0.35 l	0.35 l
Weight approx.	14 kg	15 kg
Dimensions (L x W x H)	265 x 215 x 175 mm	265 x 215 x 175 mm
Gas outlet	G ½"	G ½"
Gas inlet	G ½"	G ½"

The following technical values refer to ISO 60 Hz

	R5 KD 0012 A	R5 KD 0020 A
Nominal pumping speed	12 m³/h	20 m³/h
Ultimate pressure	2.0 hPa (mbar)	2.0 hPa (mbar)
Nominal motor rating	0.37 kW	0.55 kW
Nominal motor speed	3600 min ⁻¹	3600 min ⁻¹

R5 KD 0012/0020 A

Oil-lubricated rotary vane vacuum pumps



VACUUM SOLUTIONS

	R5 KD 0012 A	R5 KD 0020 A
Noise level (ISO 2151)	62 dB(A)	62 dB(A)
Oil capacity	0.35 l	0.35 l
Weight approx.	14 kg	15 kg
Dimensions (L x W x H)	265 x 215 x 175 mm	265 x 215 x 175 mm
Gas outlet	G ½"	G ½"
Gas inlet	G ½"	G ½"

DO YOU WANT TO KNOW MORE

Please contact us!
sales@busch.co.nz or +64 (0)800 428 724



CONTACT FORM



CALL US NOW