

# R5 KB 0010/0016 E

Oil-lubricated rotary vane vacuum pumps



Discover all advantages of the product series R5 KB

## Compact

Direct-drive construction, reduced height and weight, ideal for installation in vacuum packaging machines

## Reliable

Robust construction, highly durable vanes, proven rotary vane technology, long service life

## Flexible

Various design options available, easy adaption to individual customer requirements and processes

### Accessories

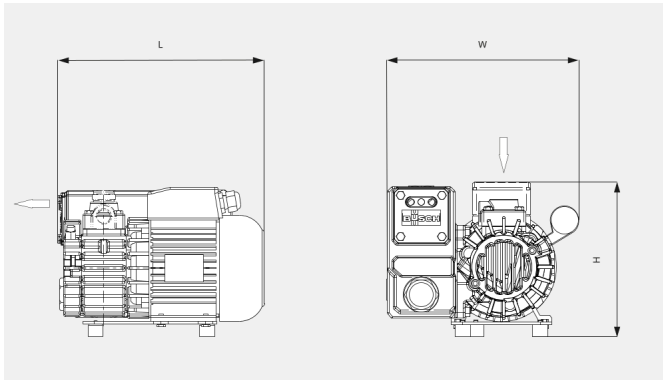
- Gas-ballast valve
- Various inlet filters
- Filter pressure gauge
- Oil level switch
- Vacuum pump oils for all applications
- Vacuum regulating unit

# R5 KB 0010/0016 E

Oil-lubricated rotary vane vacuum pumps

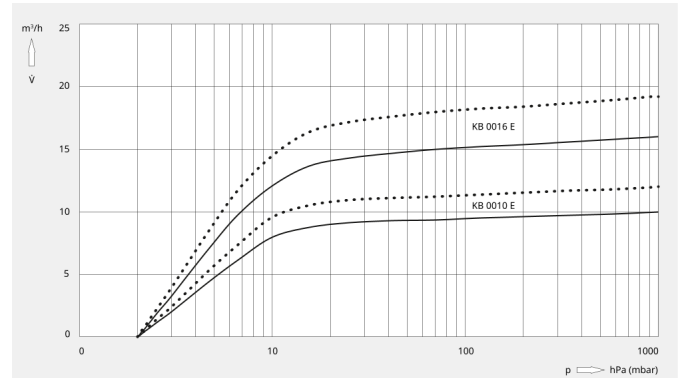


## Dimensional drawing



## Pumping speed

Air at 20 °C. Tolerance: ± 10%



The following technical values refer to ISO 50 Hz

	R5 KB 0010 E	R5 KB 0016 E
Nominal pumping speed	10 m³/h	16 m³/h
Ultimate pressure	2.0 hPa (mbar)	2.0 hPa (mbar)
Nominal motor rating	0.37 kW	0.55 kW
Nominal motor speed	3000 min <sup>-1</sup>	3000 min <sup>-1</sup>
Noise level (ISO 2151)	63 dB(A)	64 dB(A)
Oil capacity	0.3 l	0.3 l
Weight approx.	16 kg	18 kg
Dimensions (L x W x H)	271 x 218 x 201 mm	301 x 217 x 201 mm
Gas outlet	G ¾"	G ¾"
Gas inlet	G ¾"	G ¾"

The following technical values refer to ISO 60 Hz

	R5 KB 0010 E	R5 KB 0016 E
Nominal pumping speed	12 m³/h	19 m³/h
Ultimate pressure	2.0 hPa (mbar)	2.0 hPa (mbar)
Nominal motor rating	0.37 kW	0.55 kW
Nominal motor speed	3600 min <sup>-1</sup>	3600 min <sup>-1</sup>

# R5 KB 0010/0016 E

Oil-lubricated rotary vane vacuum pumps



	R5 KB 0010 E	R5 KB 0016 E
Noise level (ISO 2151)	67 dB(A)	68 dB(A)
Oil capacity	0.3 l	0.3 l
Weight approx.	16 kg	18 kg
Dimensions (L x W x H)	271 x 218 x 201 mm	301 x 217 x 201 mm
Gas outlet	G 3/4"	G 3/4"
Gas inlet	G 3/4"	G 3/4"

## DO YOU WANT TO KNOW MORE

Please contact us!  
sales@busch.co.nz or +64 (0)800 428 724



CONTACT FORM



CALL US NOW