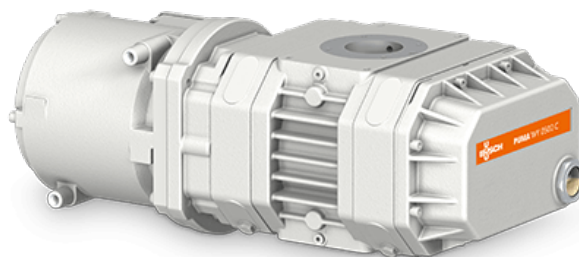


PUMA WY 0500–2000 C

Vacuum boosters



Discover all advantages of
the product series PUMA WY

Reliable

Solid lobe design, robust construction made of GGG40 material, leak-tight, reliable under varying operating conditions

High performance

Excellent volumetric efficiency, increases the performance of a vacuum system by up to a factor of ten, specially designed for medium and high vacuum including semiconductor applications

Flexible

Can be flanged directly on the system at any position, boosts the performance of all types of backing pumps

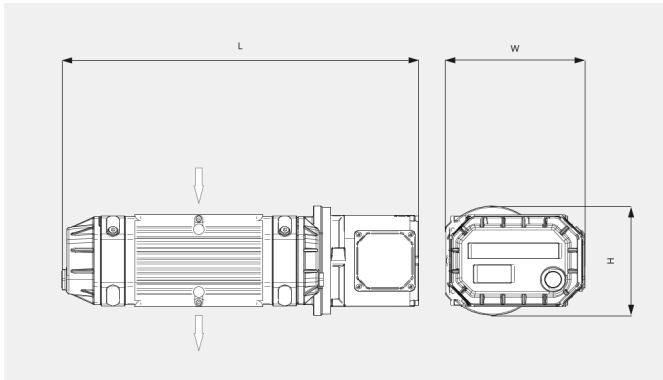
PUMA WY 0500–2000 C

Vacuum boosters



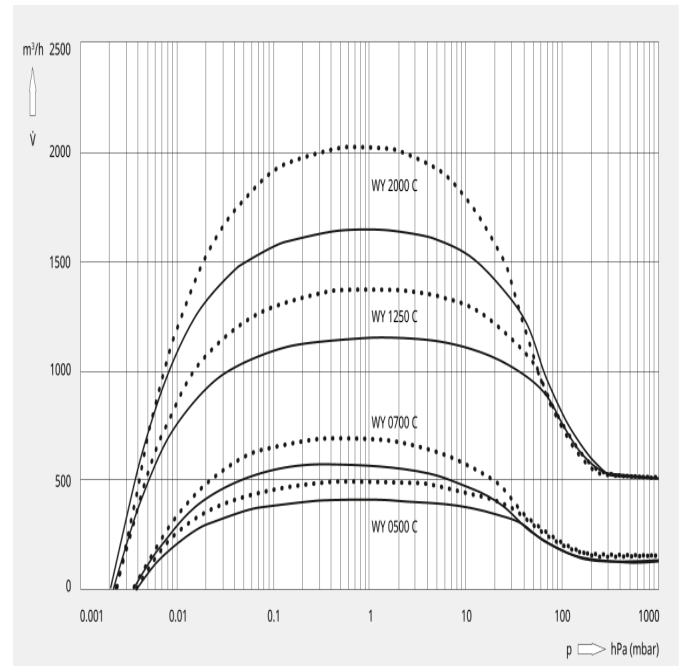
VACUUM SOLUTIONS

Dimensional drawing



Pumping speed

Air at 20 °C. Tolerance: ± 10%



The following technical values refer to ISO 50 Hz

	PUMA WY 0500 C	PUMA WY 0700 C	PUMA WY 1250 C	PUMA WY 2000 C
Nominal pumping speed	500 m³/h	700 m³/h	1250 m³/h	2010 m³/h
Pumping speed	415 m³/h	550 m³/h	1080 m³/h	1655 m³/h
Max. differential pressure	50 hPa (mbar)	50 hPa (mbar)	50 hPa (mbar)	50 hPa (mbar)
Nominal motor rating	4.0 kW	4.0 kW	4.0 kW	5.5 kW
Nominal motor speed	3000 min ⁻¹	3000 min ⁻¹	3000 min ⁻¹	3000 min ⁻¹
Weight approx.	150 kg	160 kg	210 kg	280 kg
Leakage rate	< 1 · 10 ⁻⁶ mbar · l/s	< 1 · 10 ⁻⁶ mbar · l/s	< 1 · 10 ⁻⁶ mbar · l/s	< 1 · 10 ⁻⁶ mbar · l/s
Dimensions (L x W x H)	642 x 325 x 260	692 x 325 x 260	852 x 325 x 260	936 x 390 x 270
Gas inlet	DN 63 ISO	DN 100 ISO	DN 160 ISO	DN 160 ISO
Gas outlet	DN 63 ISO	DN 100 ISO	DN 160 ISO	DN 160 ISO

PUMA WY 0500–2000 C

Vacuum boosters



The following technical values refer to ISO 60 Hz

	PUMA WY 0500 C	PUMA WY 0700 C	PUMA WY 1250 C	PUMA WY 2000 C
Nominal pumping speed	600 m ³ /h	840 m ³ /h	1500 m ³ /h	2435 m ³ /h
Pumping speed	500 m ³ /h	660 m ³ /h	1290 m ³ /h	2066 m ³ /h
Max. differential pressure	50 hPa (mbar)	50 hPa (mbar)	50 hPa (mbar)	50 hPa (mbar)
Nominal motor rating	4.4 kW	4.4 kW	4.4 kW	6.6 kW
Nominal motor speed	3600 min ⁻¹	3600 min ⁻¹	3600 min ⁻¹	3600 min ⁻¹
Weight approx.	150 kg	160 kg	210 kg	280 kg
Leakage rate	< 1 · 10 ⁻⁶ mbar · l/s	< 1 · 10 ⁻⁶ mbar · l/s	< 1 · 10 ⁻⁶ mbar · l/s	< 1 · 10 ⁻⁶ mbar · l/s
Dimensions (L x W x H)	642 x 325 x 260	692 x 325 x 260	852 x 325 x 260	936 x 390 x 270
Gas inlet	DN 63 ISO	DN 100 ISO	DN 160 ISO	DN 160 ISO
Gas outlet	DN 63 ISO	DN 100 ISO	DN 160 ISO	DN 160 ISO

DO YOU WANT TO KNOW MORE

Please contact us!
sales@busch.co.nz or +64 (0)800 428 724



CONTACT FORM



CALL US NOW