

PUMA WP 0250/0500 D2/D4

Vacuum boosters



Discover all advantages of
the product series PUMA WP

Reliable

Solid lobe design, robust construction made of GGG40 material

High performance

Excellent volumetric efficiency, increases the performance of a vacuum system by up to a factor of ten, specially designed for rough and medium vacuum applications

Flexible

Can be flanged directly on the system at any position, boosts the performance of all types of backing pumps

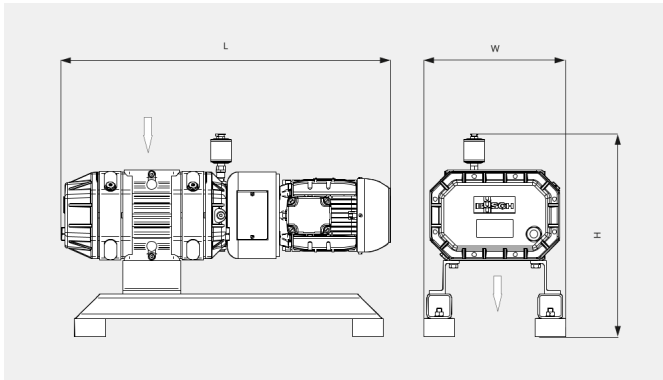
PUMA WP 0250/0500 D2/D4

Vacuum boosters



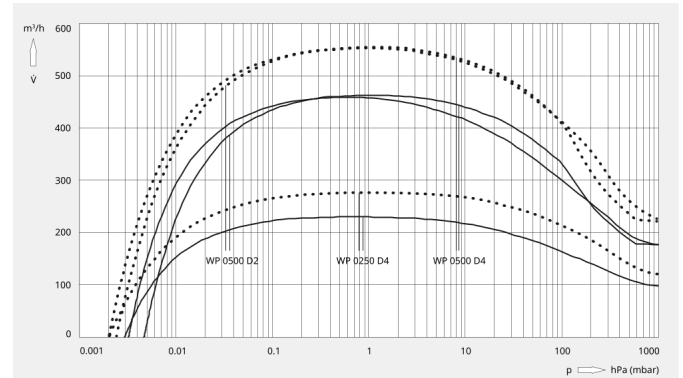
VACUUM SOLUTIONS

Dimensional drawing



Pumping speed

Air at 20 °C. Tolerance: ± 10%



The following technical values refer to ISO 50 Hz

	PUMA WP 0250 D4	PUMA WP 0500 D2	PUMA WP 0500 D4
Nominal pumping speed	260 m³/h	520 m³/h	520 m³/h
Pumping speed	231 m³/h	463 m³/h	458 m³/h
Max. differential pressure	80 hPa (mbar)	50 hPa (mbar)	80 hPa (mbar)
Nominal motor rating	1.1 kW	2.2 kW	1.8 kW
Nominal motor speed	1500 min ⁻¹	3000 min ⁻¹	1500 min ⁻¹
Weight approx.	150 kg	150 kg	200 kg
Dimensions (L x W x H)	792 x 345 x 494	813 x 345 x 494	971 x 345 x 494
Gas inlet	DN 63 ISO	DN 63 ISO	DN 160 ISO
Gas outlet	DN 63 ISO	DN 63 ISO	DN 160 ISO

The following technical values refer to ISO 60 Hz

	PUMA WP 0250 D4	PUMA WP 0500 D2	PUMA WP 0500 D4
Nominal pumping speed	310 m³/h	620 m³/h	620 m³/h
Pumping speed	277 m³/h	554 m³/h	552 m³/h
Max. differential pressure	80 hPa (mbar)	50 hPa (mbar)	80 hPa (mbar)
Nominal motor rating	1.5 kW	3.0 kW	2.4 kW
Nominal motor speed	1800 min ⁻¹	3600 min ⁻¹	1800 min ⁻¹

PUMA WP 0250/0500 D2/D4

Vacuum boosters



VACUUM SOLUTIONS

	PUMA WP 0250 D4	PUMA WP 0500 D2	PUMA WP 0500 D4
Weight approx.	150 kg	150 kg	200 kg
Dimensions (L x W x H)	792 x 345 x 494	813 x 345 x 494	971 x 345 x 494
Gas inlet	DN 63 ISO	DN 63 ISO	DN 160 ISO
Gas outlet	DN 63 ISO	DN 63 ISO	DN 160 ISO

DO YOU WANT TO KNOW MORE

Please contact us!
sales@busch.co.nz or +64 (0)800 428 724



CONTACT FORM



CALL US NOW