

MINK MV 0310 B

Dry claw vacuum pump



VACUUM SOLUTIONS



Discover all advantages of the product series MINK MV

Flexible

Variable speed drive (VSD)

Efficient

Latest claw technology, additional pumping speed thanks to pressure control, up to 20% more performance, low energy consumption, minimized operating costs, nearly maintenance-free

Quiet

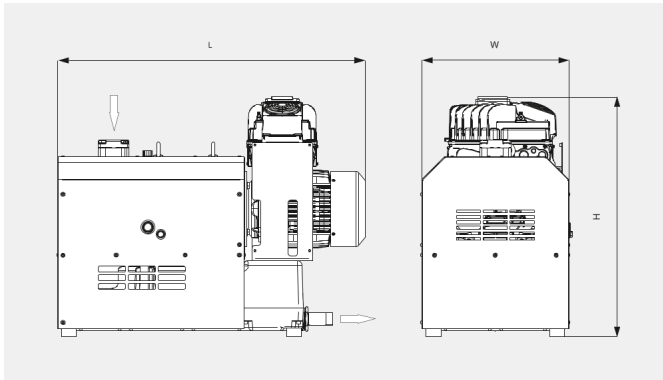
Low noise level due to a state-of-the-art acoustic design, can be installed at workstations

MINK MV 0310 B

Dry claw vacuum pump

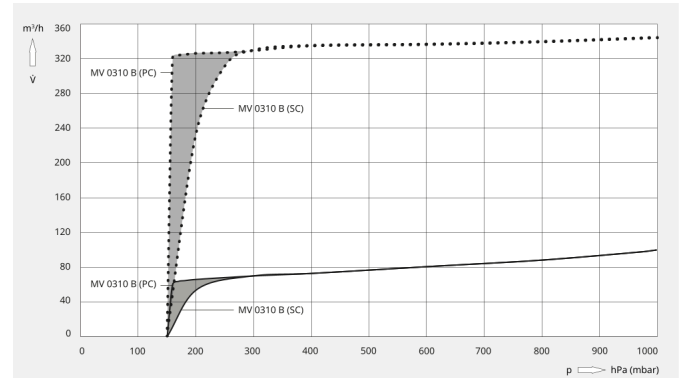


Dimensional drawing



Pumping speed

Air at 20 °C. Tolerance: ± 10%



The following technical values refer to ISO 50 Hz

MINK MV 0310 B	
Nominal pumping speed	345 m³/h
Ultimate pressure	150 hPa (mbar)
Nominal motor rating	6.0 – 8.0 kW
Nominal motor speed	1200 – 3600 min ⁻¹
Noise level (ISO 2151)	72 dB(A)
Oil capacity	1.1 l
Weight approx.	330 kg
Dimensions (L x W x H)	1015 x 500 x 790 mm
Gas inlet	G 2"
Gas outlet	R 1¼"

The following technical values refer to ISO 60 Hz

MINK MV 0310 B	
Nominal pumping speed	345 m³/h
Ultimate pressure	150 hPa (mbar)
Nominal motor rating	6.0 – 8.0 kW
Nominal motor speed	1200 – 3600 min ⁻¹

MINK MV 0310 B

Dry claw vacuum pump



MINK MV 0310 B	
Noise level (ISO 2151)	72 dB(A)
Oil capacity	1.1 l
Weight approx.	330 kg
Dimensions (L x W x H)	1015 x 500 x 790 mm
Gas inlet	G 2"
Gas outlet	R 1¼"

DO YOU WANT TO KNOW MORE

Please contact us!
sales@busch.co.nz or +64 (0)800 428 724



CONTACT FORM



CALL US NOW