

# MINK MV 0040–0080 D

## Synchro

Dry claw vacuum pumps



Discover all advantages of the product series MINK MV

### Quiet

Low noise level due to a state-of-the-art acoustic design, significantly reduced pulsation, can be installed at workstations

### Efficient

Latest claw vacuum technology, intelligent variable speed drive with PID controller, low energy consumption, minimized operating costs

### Compact

Small footprint

#### Accessories

- Parameter configuration kit for alteration of control settings by computer, including software
- Fieldbus modules
- Pressure transmitter for pressure-regulated vacuum pump operation
- Inlet filter
- Condensate drain valve (Aqua version)
- Manual control unit for easy vacuum pump control

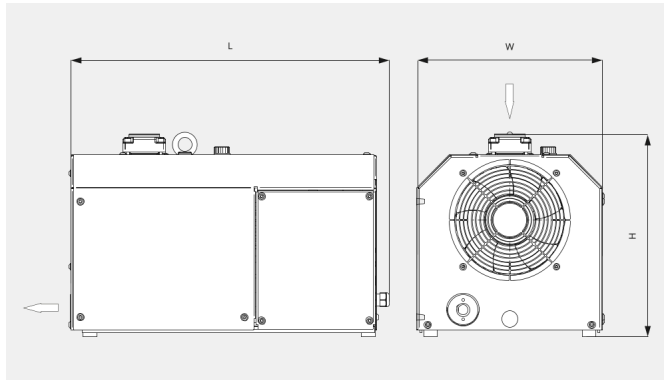
# MINK MV 0040–0080 D

## Synchro

Dry claw vacuum pumps

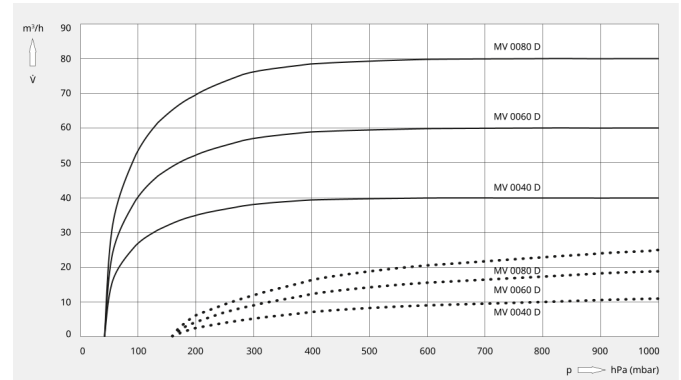


### Dimensional drawing



### Pumping speed

Air at 20 °C. Tolerance: ± 10%



The following technical values refer to ISO 50 Hz

	MINK MV 0040 D	MINK MV 0060 D	MINK MV 0080 D
<b>Nominal pumping speed</b>	40 m <sup>3</sup> /h	60 m <sup>3</sup> /h	80 m <sup>3</sup> /h
<b>Ultimate pressure</b>	40 hPa (mbar)	40 hPa (mbar)	40 hPa (mbar)
<b>Power consumption (motor and fan)</b>	1.3 kW	1.7 kW	2.1 kW
<b>Nominal motor speed</b>	1200 min <sup>-1</sup>	1200 min <sup>-1</sup>	1200 min <sup>-1</sup>
<b>Noise level (ISO 2151)</b>	62 dB(A)	68 dB(A)	71 dB(A)
<b>Weight approx.</b>	80 kg	85 kg	87 kg
<b>Dimensions (L x W x H)</b>	585 x 345 x 370 mm	610 x 345 x 370 mm	610 x 345 x 370 mm
<b>Gas inlet</b>	G 1¼"	G 1¼"	G 1¼"
<b>Gas outlet</b>	G ¾"	G ¾"	G ¾"

The following technical values refer to ISO 60 Hz

	MINK MV 0040 D	MINK MV 0060 D	MINK MV 0080 D
<b>Nominal pumping speed</b>	40 m <sup>3</sup> /h	60 m <sup>3</sup> /h	80 m <sup>3</sup> /h
<b>Ultimate pressure</b>	40 hPa (mbar)	40 hPa (mbar)	40 hPa (mbar)
<b>Power consumption (motor and fan)</b>	1.3 kW	1.7 kW	2.1 kW
<b>Nominal motor speed</b>	4200 min <sup>-1</sup>	4200 min <sup>-1</sup>	4800 min <sup>-1</sup>
<b>Noise level (ISO 2151)</b>	62 dB(A)	68 dB(A)	71 dB(A)

# MINK MV 0040–0080 D

## Synchro

Dry claw vacuum pumps



	MINK MV 0040 D	MINK MV 0060 D	MINK MV 0080 D
<b>Weight approx.</b>	80 kg	85 kg	87 kg
<b>Dimensions (L x W x H)</b>	585 x 345 x 370 mm	610 x 345 x 370 mm	610 x 345 x 370 mm
<b>Gas inlet</b>	G 1¼"	G 1¼"	G 1¼"
<b>Gas outlet</b>	G ¾"	G ¾"	G ¾"

**DO YOU WANT TO KNOW MORE**

Please contact us!  
sales@busch.co.nz or +64 (0)800 428 724



CONTACT FORM



CALL US NOW