

MINK MM 1202–1322 AP

Dry claw compressors



Discover all advantages of
the product series MINK MM

Flexible

Designed for numerous industrial applications of up to 2.0 bar(g), inlet filter and pressure relief valve as standard

Reliable

Effective air cooling, constantly high volume flow throughout the entire life cycle

Nearly maintenance-free

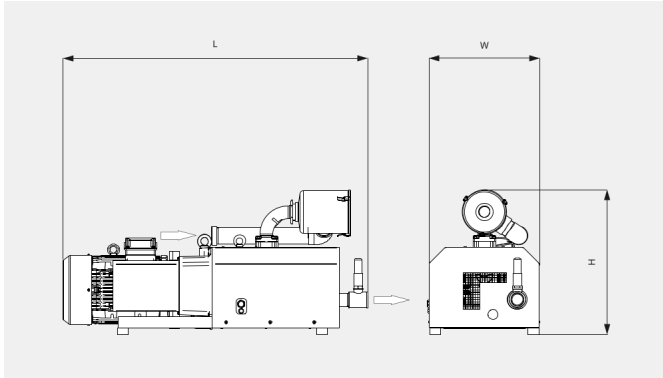
Dry and contact-free compression

MINK MM 1202–1322 AP

Dry claw compressors

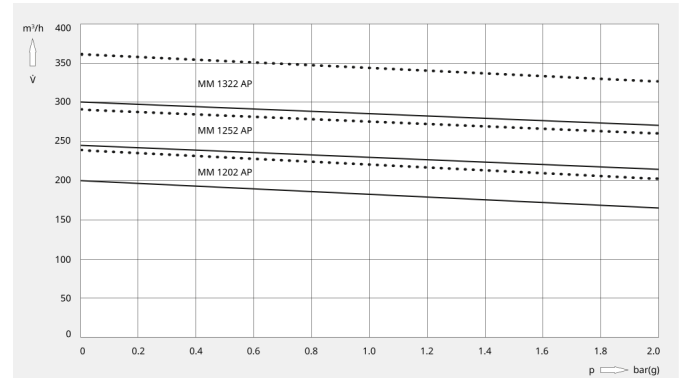


Dimensional drawing



Volume flow

Air at 20 °C. Tolerance: ± 10%



The following technical values refer to ISO 50 Hz

	MINK MM 1202 AP (A)	MINK MM 1202 AP (B)	MINK MM 1202 AP (C)
Volume flow (at inlet)	200 m³/h	200 m³/h	200 m³/h
Overpressure	0.8 bar(g)	1.2 bar(g)	2.0 bar(g)
Nominal motor rating	6.0 kW	7.5 kW	11.0 kW
Nominal motor speed	3000 min ⁻¹	3000 min ⁻¹	3000 min ⁻¹
Noise level (ISO 2151)	80 dB(A)	80 dB(A)	80 dB(A)
Oil capacity	1.0 l	1.0 l	1.0 l
Weight approx.	210 kg	210 kg	210 kg
Dimensions (L x W x H)	1345 x 515 x 665 mm	1345 x 515 x 665 mm	1345 x 515 x 665 mm
Gas inlet	-	-	-
Gas outlet	G 2"	G 2"	G 2"

The following technical values refer to ISO 50 Hz

	MINK MM 1252 AP (A)	MINK MM 1252 AP (B)	MINK MM 1252 AP (C)
Volume flow (at inlet)	245 m³/h	245 m³/h	245 m³/h
Overpressure	0.9 bar(g)	1.6 bar(g)	2.0 bar(g)
Nominal motor rating	7.5 kW	10.6 kW	12.5 kW
Nominal motor speed	3000 min ⁻¹	3000 min ⁻¹	3000 min ⁻¹

MINK MM 1202–1322 AP

Dry claw compressors



	MINK MM 1252 AP (A)	MINK MM 1252 AP (B)	MINK MM 1252 AP (C)
Noise level (ISO 2151)	81 dB(A)	81 dB(A)	81 dB(A)
Oil capacity	1.0 l	1.0 l	1.0 l
Weight approx.	230 kg	230 kg	230 kg
Dimensions (L x W x H)	1390 x 515 x 665 mm	1390 x 515 x 665 mm	1390 x 515 x 665 mm
Gas inlet	-	-	-
Gas outlet	G 2"	G 2"	G 2"

The following technical values refer to ISO 50 Hz

	MINK MM 1322 AP (A)	MINK MM 1322 AP (B)	MINK MM 1322 AP (C)
Volume flow (at inlet)	300 m ³ /h	300 m ³ /h	300 m ³ /h
Overpressure	1.0 bar(g)	1.7 bar(g)	2.0 bar(g)
Nominal motor rating	10.5 kW	14.9 kW	16.5 kW
Nominal motor speed	3000 min ⁻¹	3000 min ⁻¹	3000 min ⁻¹
Noise level (ISO 2151)	82 dB(A)	82 dB(A)	82 dB(A)
Oil capacity	1.0 l	1.0 l	1.0 l
Weight approx.	255 kg	255 kg	255 kg
Dimensions (L x W x H)	1425 x 515 x 665 mm	1425 x 515 x 665 mm	1425 x 515 x 665 mm
Gas inlet	-	-	-
Gas outlet	G 2"	G 2"	G 2"

The following technical values refer to ISO 60 Hz

	MINK MM 1202 AP (A)	MINK MM 1202 AP (B)	MINK MM 1202 AP (C)
Volume flow (at inlet)	240 m ³ /h	240 m ³ /h	240 m ³ /h
Overpressure	0.8 bar(g)	1.1 bar(g)	1.8 bar(g)
Nominal motor rating	8.0 kW	9.5 kW	12.5 kW
Nominal motor speed	3600 min ⁻¹	3600 min ⁻¹	3600 min ⁻¹
Noise level (ISO 2151)	83 dB(A)	83 dB(A)	83 dB(A)
Weight approx.	250 ... 310 kg	250 ... 310 kg	250 ... 310 kg

MINK MM 1202–1322 AP

Dry claw compressors



	MINK MM 1202 AP (A)	MINK MM 1202 AP (B)	MINK MM 1202 AP (C)
Dimensions (L x W x H)	1345 x 515 x 665 mm	1345 x 515 x 665 mm	1345 x 515 x 665 mm
Gas inlet	-	-	-
Gas outlet	G 2"	G 2"	G 2"

The following technical values refer to ISO 60 Hz

	MINK MM 1252 AP (A)	MINK MM 1252 AP (B)	MINK MM 1252 AP (C)
Volume flow (at inlet)	290 m ³ /h	290 m ³ /h	290 m ³ /h
Overpressure	0.7 bar(g)	1.4 bar(g)	2.0 bar(g)
Nominal motor rating	9.0 kW	12.6 kW	15.6 kW
Nominal motor speed	3600 min ⁻¹	3600 min ⁻¹	3600 min ⁻¹
Noise level (ISO 2151)	84 dB(A)	84 dB(A)	84 dB(A)
Weight approx.	270 ... 320 kg	270 ... 320 kg	270 ... 320 kg
Dimensions (L x W x H)	1390 x 515 x 665 mm	1390 x 515 x 665 mm	1390 x 515 x 665 mm
Gas inlet	-	-	-
Gas outlet	G 2"	G 2"	G 2"

The following technical values refer to ISO 60 Hz

	MINK MM 1322 AP (A)	MINK MM 1322 AP (B)	MINK MM 1322 AP (C)
Volume flow (at inlet)	360 m ³ /h	360 m ³ /h	360 m ³ /h
Overpressure	0.8 bar(g)	1.5 bar(g)	2.0 bar(g)
Nominal motor rating	12.5 kW	17.2 kW	21.0 kW
Nominal motor speed	3600 min ⁻¹	3600 min ⁻¹	3600 min ⁻¹
Noise level (ISO 2151)	85 dB(A)	85 dB(A)	85 dB(A)
Weight approx.	310 ... 360 kg	310 ... 360 kg	310 ... 360 kg
Dimensions (L x W x H)	1425 x 515 x 665 mm	1425 x 515 x 665 mm	1425 x 515 x 665 mm
Gas inlet	-	-	-
Gas outlet	G 2"	G 2"	G 2"

MINK MM 1202–1322 AP

Dry claw compressors



DO YOU WANT TO KNOW MORE

Please contact us!
sales@busch.co.nz or +64 (0)800 428 724



CONTACT FORM



CALL US NOW