

MINK MM 1104–1142 BP

Dry claw compressors



Discover all advantages of the product series MINK MM

Flexible

Designed for numerous industrial applications of up to 2.0 bar(g), inlet filter and pressure relief valve as standard

Reliable

Effective air cooling, constantly high volume flow throughout the entire life cycle

Nearly maintenance-free

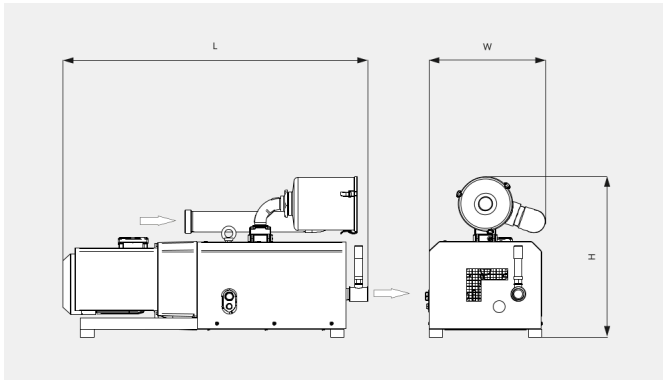
Dry and contact-free compression

MINK MM 1104–1142 BP

Dry claw compressors

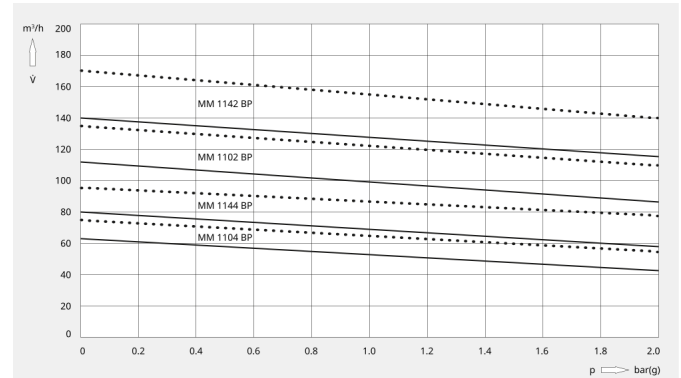


Dimensional drawing



Volume flow

Air at 20 °C. Tolerance: ± 10%



The following technical values refer to ISO 50 Hz

	MINK MM 1102 BP (A)	MINK MM 1102 BP (B)	MINK MM 1102 BP (C)	MINK MM 1104 BP (A)
Volume flow (at inlet)	110 m³/h	110 m³/h	110 m³/h	62 m³/h
Overpressure	0.7 bar(g)	1.4 bar(g)	2.0 bar(g)	1.2 bar(g)
Nominal motor rating	4.0 kW	5.5 kW	6.9 kW	2.2 kW
Nominal motor speed	3000 min ⁻¹	3000 min ⁻¹	3000 min ⁻¹	1500 min ⁻¹
Noise level (ISO 2151)	78 dB(A)	78 dB(A)	78 dB(A)	71 dB(A)
Weight approx.	160 kg	160 kg	160 kg	155 kg
Dimensions (L x W x H)	1195 x 430 x 590 mm	1195 x 430 x 590 mm	1195 x 430 x 590 mm	1080 x 430 x 590 mm
Gas inlet	-	-	-	-
Gas outlet	G 1¼"	G 1¼"	G 1¼"	G 1¼"

The following technical values refer to ISO 50 Hz

	MINK MM 1104 BP (B)	MINK MM 1104 BP (C)	MINK MM 1142 BP (A)	MINK MM 1142 BP (B)
Volume flow (at inlet)	62 m³/h	62 m³/h	140 m³/h	140 m³/h
Overpressure	1.8 bar(g)	2.0 bar(g)	1.0 bar(g)	1.4 bar(g)
Nominal motor rating	2.9 kW	3.2 kW	6.0 kW	7.5 kW
Nominal motor speed	1500 min ⁻¹	1500 min ⁻¹	3000 min ⁻¹	3000 min ⁻¹

MINK MM 1104–1142 BP

Dry claw compressors



	MINK MM 1104 BP (B)	MINK MM 1104 BP (C)	MINK MM 1142 BP (A)	MINK MM 1142 BP (B)
Noise level (ISO 2151)	71 dB(A)	71 dB(A)	78 dB(A)	78 dB(A)
Weight approx.	155 kg	155 kg	165 kg	165 kg
Dimensions (L x W x H)	1080 x 430 x 590 mm	1080 x 430 x 590 mm	1210 x 430 x 590 mm	1210 x 430 x 590 mm
Gas inlet	-	-	-	-
Gas outlet	G 1¼"	G 1¼"	G 1¼"	G 1¼"

The following technical values refer to ISO 50 Hz

	MINK MM 1142 BP (C)	MINK MM 1144 BP (A)	MINK MM 1144 BP (B)	MINK MM 1144 BP (C)
Volume flow (at inlet)	140 m³/h	80 m³/h	80 m³/h	80 m³/h
Overpressure	2.0 bar(g)	1.0 bar(g)	1.4 bar(g)	2.0 bar(g)
Nominal motor rating	9.0 kW	2.7 kW	3.4 kW	4.4 kW
Nominal motor speed	3000 min ⁻¹	1500 min ⁻¹	1500 min ⁻¹	1500 min ⁻¹
Noise level (ISO 2151)	78 dB(A)	71 dB(A)	71 dB(A)	71 dB(A)
Weight approx.	165 kg	160 kg	160 kg	160 kg
Dimensions (L x W x H)	1210 x 430 x 590 mm	1190 x 430 x 590 mm	1190 x 430 x 590 mm	1190 x 430 x 590 mm
Gas inlet	-	-	-	-
Gas outlet	G 1¼"	G 1¼"	G 1¼"	G 1¼"

The following technical values refer to ISO 60 Hz

	MINK MM 1102 BP (A)	MINK MM 1102 BP (B)	MINK MM 1102 BP (C)	MINK MM 1104 BP (A)
Volume flow (at inlet)	135 m³/h	135 m³/h	135 m³/h	75 m³/h
Overpressure	0.7 bar(g)	1.1 bar(g)	2.0 bar(g)	0.8 bar(g)
Nominal motor rating	5.5 kW	6.5 kW	8.6 kW	2.2 kW
Nominal motor speed	3600 min ⁻¹	3600 min ⁻¹	3600 min ⁻¹	1800 min ⁻¹
Noise level (ISO 2151)	81 dB(A)	81 dB(A)	81 dB(A)	73 dB(A)
Oil capacity	0.85 l	0.85 l	0.85 l	0.85 l

MINK MM 1104–1142 BP

Dry claw compressors



	MINK MM 1102 BP (A)	MINK MM 1102 BP (B)	MINK MM 1102 BP (C)	MINK MM 1104 BP (A)
Weight approx.	190 ... 240 kg	190 ... 240 kg	190 ... 240 kg	190 ... 200 kg
Dimensions (L x W x H)	1195 x 430 x 590 mm	1195 x 430 x 590 mm	1195 x 430 x 590 mm	1080 x 430 x 590 mm
Gas inlet	-	-	-	-
Gas outlet	G 1¼"	G 1¼"	G 1¼"	G 1¼"

The following technical values refer to ISO 60 Hz

	MINK MM 1104 BP (B)	MINK MM 1104 BP (C)	MINK MM 1142 BP (A)	MINK MM 1142 BP (B)
Volume flow (at inlet)	75 m ³ /h	75 m ³ /h	170 m ³ /h	170 m ³ /h
Overpressure	1.4 bar(g)	2.0 bar(g)	1.0 bar(g)	1.4 bar(g)
Nominal motor rating	3.0 kW	3.8 kW	8.0 kW	9.5 kW
Nominal motor speed	1800 min ⁻¹	1800 min ⁻¹	3600 min ⁻¹	3600 min ⁻¹
Noise level (ISO 2151)	73 dB(A)	73 dB(A)	81 dB(A)	81 dB(A)
Oil capacity	0.85 l	0.85 l	0.85 l	0.85 l
Weight approx.	190 ... 200 kg	190 ... 200 kg	220 ... 240 kg	220 ... 240 kg
Dimensions (L x W x H)	1080 x 430 x 590 mm	1080 x 430 x 590 mm	1210 x 430 x 590 mm	1210 x 430 x 590 mm
Gas inlet	-	-	-	-
Gas outlet	G 1¼"	G 1¼"	G 1¼"	G 1¼"

The following technical values refer to ISO 60 Hz

	MINK MM 1142 BP (C)	MINK MM 1144 BP (A)	MINK MM 1144 BP (B)	MINK MM 1144 BP (C)
Volume flow (at inlet)	170 m ³ /h	95 m ³ /h	95 m ³ /h	95 m ³ /h
Overpressure	2.0 bar(g)	1.0 bar(g)	1.4 bar(g)	2.0 bar(g)
Nominal motor rating	11.5 kW	3.4 kW	4.0 kW	5.1 kW
Nominal motor speed	3600 min ⁻¹	1800 min ⁻¹	1800 min ⁻¹	1800 min ⁻¹
Noise level (ISO 2151)	81 dB(A)	73 dB(A)	73 dB(A)	73 dB(A)
Oil capacity	0.85 l	0.85 l	0.85 l	0.85 l

MINK MM 1104–1142 BP

Dry claw compressors



VACUUM SOLUTIONS

	MINK MM 1142 BP (C)	MINK MM 1144 BP (A)	MINK MM 1144 BP (B)	MINK MM 1144 BP (C)
Weight approx.	220 ... 240 kg	190 ... 210 kg	190 ... 210 kg	190 ... 210 kg
Dimensions (L x W x H)	1210 x 430 x 590 mm	1190 x 430 x 590 mm	1190 x 430 x 590 mm	1190 x 430 x 590 mm
Gas inlet	-	-	-	-
Gas outlet	G 1¼"	G 1¼"	G 1¼"	G 1¼"

DO YOU WANT TO KNOW MORE

Please contact us!
sales@busch.co.nz or +64 (0)800 428 724



CONTACT FORM



CALL US NOW