

# MINK MM 0084–0182 A

Dry claw vacuum pumps



Discover all advantages of the product series MINK MM

## Efficient

Substantial energy savings compared to conventional vacuum generators, minimized operating costs

## Nearly maintenance-free

Dry and contact-free compression

## Robust

Proven design, more than 200.000 vacuum pumps in operation

### Accessories

- Aqua version
- IoT Kit

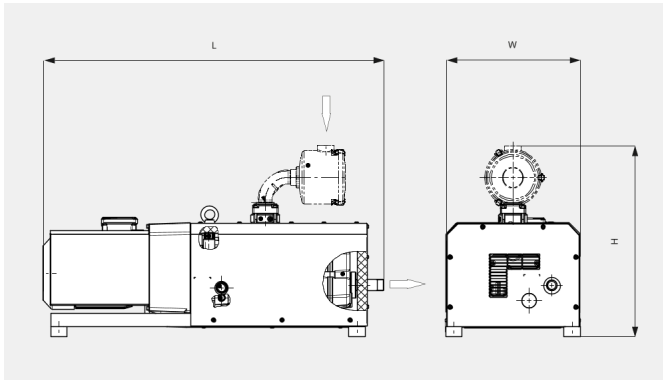
# MINK MM 0084–0182 A

Dry claw vacuum pumps



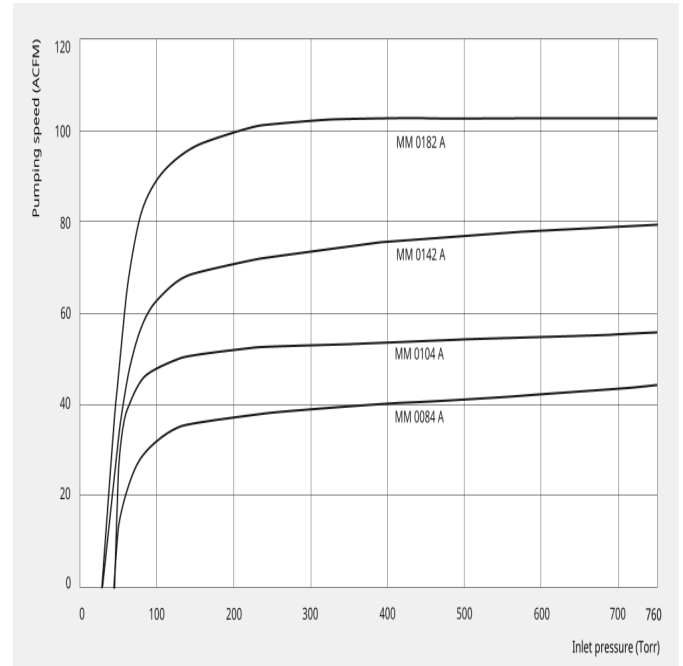
VACUUM SOLUTIONS

## Dimensional drawing



## Pumping speed

Air at 20 °C. Tolerance: ± 10%



The following technical values refer to ISO 50 Hz

	MINK MM 0084 A	MINK MM 0104 A	MINK MM 0142 A	MINK MM 0182 A
<b>Nominal pumping speed</b>	62 m <sup>3</sup> /h	80 m <sup>3</sup> /h	110 m <sup>3</sup> /h	140 m <sup>3</sup> /h
<b>Ultimate pressure</b>	60 hPa (mbar)	60 hPa (mbar)	40 hPa (mbar)	40 hPa (mbar)
<b>Nominal motor rating</b>	1.5 kW	2.2 kW	3.0 kW	3.5 kW
<b>Nominal motor speed</b>	1500 min <sup>-1</sup>	1500 min <sup>-1</sup>	3000 min <sup>-1</sup>	3000 min <sup>-1</sup>
<b>Noise level (ISO 2151)</b>	66 dB(A)	66 dB(A)	75 dB(A)	75 dB(A)
<b>Oil capacity</b>	1.0 l	1.0 l	1.0 l	1.0 l
<b>Weight approx.</b>	155 kg	155 kg	150 kg	160 kg
<b>Dimensions (L x W x H)</b>	993 x 416 x 410 mm	977 x 416 x 410 mm	971 x 416 x 410 mm	997 x 416 x 410 mm
<b>Gas inlet</b>	G 1¼"	G 1¼"	G 1¼"	G 1¼"
<b>Gas outlet</b>	R 1"	R 1"	R 1"	R 1"

# MINK MM 0084–0182 A

Dry claw vacuum pumps



The following technical values refer to ISO 60 Hz

	MINK MM 0084 A	MINK MM 0104 A	MINK MM 0142 A	MINK MM 0182 A
<b>Nominal pumping speed</b>	75 m <sup>3</sup> /h	95 m <sup>3</sup> /h	135 m <sup>3</sup> /h	175 m <sup>3</sup> /h
<b>Ultimate pressure</b>	60 hPa (mbar)	60 hPa (mbar)	40 hPa (mbar)	40 hPa (mbar)
<b>Nominal motor rating</b>	1.7 kW	2.4 kW	3.4 kW	4.8 kW
<b>Nominal motor speed</b>	1800 min <sup>-1</sup>	1800 min <sup>-1</sup>	3600 min <sup>-1</sup>	3600 min <sup>-1</sup>
<b>Noise level (ISO 2151)</b>	70 dB(A)	70 dB(A)	79 dB(A)	79 dB(A)
<b>Oil capacity</b>	1.0 l	1.0 l	1.0 l	1.0 l
<b>Weight approx.</b>	155 kg	155 kg	150 kg	160 kg
<b>Dimensions (L x W x H)</b>	993 x 416 x 410 mm	977 x 416 x 410 mm	971 x 416 x 410 mm	997 x 416 x 410 mm
<b>Gas inlet</b>	G 1¼"	G 1¼"	G 1¼"	G 1¼"
<b>Gas outlet</b>	R 1"	R 1"	R 1"	R 1"

## DO YOU WANT TO KNOW MORE

Please contact us!  
sales@busch.co.nz or +64 (0)800 428 724



CONTACT FORM



CALL US NOW