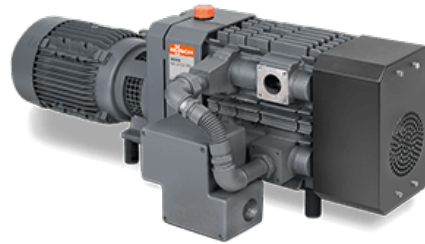


MINK MI 2124/2122 BV

Dry claw vacuum pumps



Discover all advantages of
the product series MINK MI

Efficient

Substantial energy savings compared to conventional vacuum generators, minimized operating costs

Nearly maintenance-free

Dry and contact-free operation

High performance

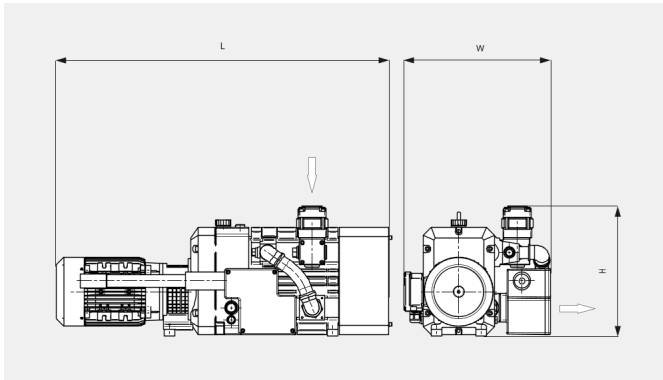
Low ultimate pressure due to two-stage construction

MINK MI 2124/2122 BV

Dry claw vacuum pumps

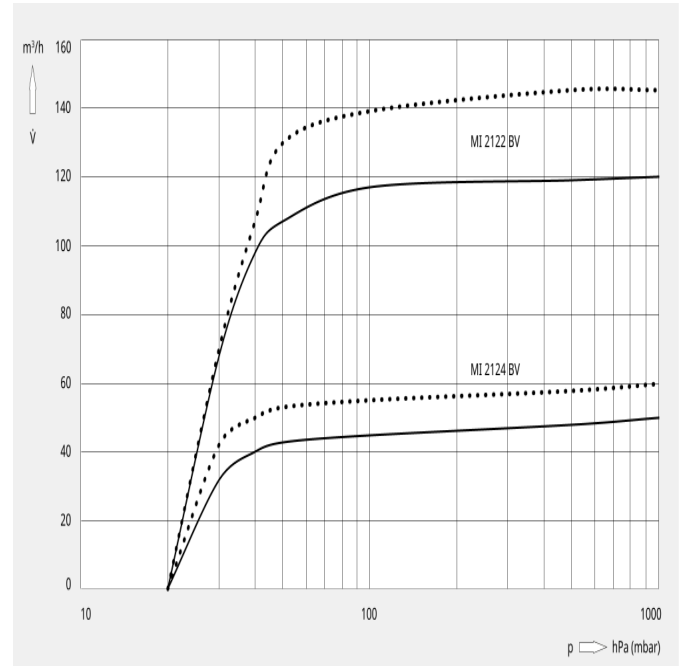


Dimensional drawing



Pumping speed

Air at 20 °C. Tolerance: ± 10%



The following technical values refer to ISO 50 Hz

	MINK MI 2124 BV	MINK MI 2122 BV
Nominal pumping speed	50 m ³ /h	120 m ³ /h
Ultimate pressure	20 hPa (mbar)	20 hPa (mbar)
Nominal motor rating	2.0 kW	5.1 kW
Nominal motor speed	1500 min ⁻¹	3000 min ⁻¹
Noise level (ISO 2151)	75 dB(A)	81 dB(A)
Oil capacity	0.43 l	0.43 l
Weight approx.	125 kg	145 kg
Dimensions (L x W x H)	940 x 415 x 370 mm	970 x 430 x 370 mm
Gas inlet	G 1¼"	G 1¼"
Gas outlet	G 1"	G 1"

MINK MI 2124/2122 BV

Dry claw vacuum pumps



The following technical values refer to ISO 60 Hz

	MINK MI 2124 BV	MINK MI 2122 BV
Nominal pumping speed	60 m ³ /h	145 m ³ /h
Ultimate pressure	20 hPa (mbar)	20 hPa (mbar)
Nominal motor rating	2.4 kW	6.8 kW
Nominal motor speed	1800 min ⁻¹	3600 min ⁻¹
Noise level (ISO 2151)	77 dB(A)	84 dB(A)
Oil capacity	0.43 l	0.43 l
Weight approx.	135 kg	145 kg
Dimensions (L x W x H)	940 x 415 x 370 mm	970 x 430 x 370 mm
Gas inlet	G 1¼"	G 1¼"
Gas outlet	G 1"	G 1"

DO YOU WANT TO KNOW MORE

Please contact us!
sales@busch.co.nz or +64 (0)800 428 724



CONTACT FORM



CALL US NOW