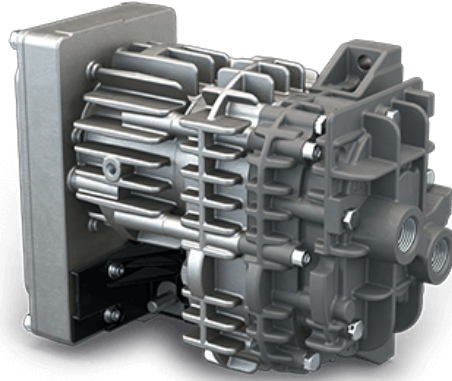


# MINK MH 0018 A

Dry claw compressor



VACUUM SOLUTIONS



Discover all advantages of the product series MINK MH

## Hydrogen-approved

For recirculation of hydrogen in fuel cells under extreme conditions, only hydrogen-approved compressor in the market

## Efficient

Latest claw technology, intelligent variable speed drive

## Compact

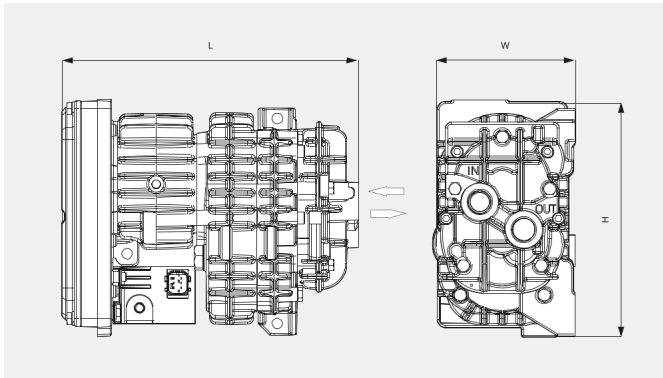
Small footprint due to "all-in-one" design with integrated variable speed drive

# MINK MH 0018 A

Dry claw compressor

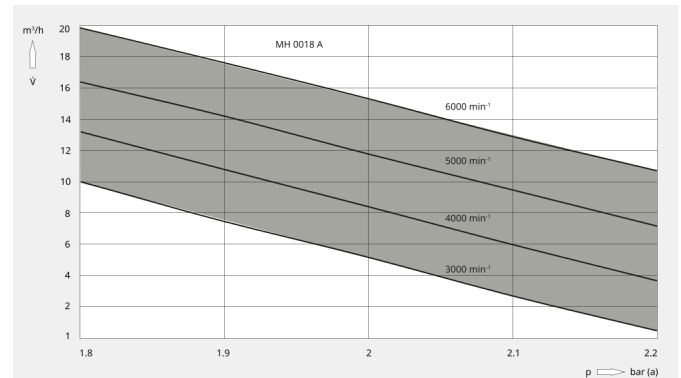


## Dimensional drawing



## Volume flow

Air at 20 °C. Tolerance: ± 10%



The following technical values refer to ISO 50 Hz

MINK MH 0018 A	
Volume flow (at inlet)	max. 18 m <sup>3</sup> /h
Overpressure	max. 0.4 bar(g)
Leakage rate	< 10 Ncm <sup>3</sup> /h
Nominal motor rating	max. 0.5 kW
Nominal motor speed	480 – 6000 min <sup>-1</sup>
Noise level (ISO 2151)	68 – 73 dB(A)
Oil capacity	0.1 l
Weight approx.	6.5 kg
Dimensions (L x W x H)	249.5 x 120 x 199 mm

The following technical values refer to ISO 60 Hz

MINK MH 0018 A	
Volume flow (at inlet)	max. 18 m <sup>3</sup> /h
Overpressure	max. 0.4 bar(g)
Leakage rate	< 10 Ncm <sup>3</sup> /h
Nominal motor rating	max. 0.5 kW
Nominal motor speed	480 – 6000 min <sup>-1</sup>

# MINK MH 0018 A

Dry claw compressor



MINK MH 0018 A	
Noise level (ISO 2151)	68 – 73 dB(A)
Oil capacity	0.1 l
Weight approx.	6.5 kg
Dimensions (L x W x H)	249.5 x 120 x 199 mm

**DO YOU WANT TO KNOW MORE**

Please contact us!  
sales@busch.co.nz or +64 (0)800 428 724



CONTACT FORM



CALL US NOW