

FOSSA FO 0035 B

Scroll vacuum pumps



VACUUM SOLUTIONS



Discover all advantages of the product series FOSSA FO

Robust

Specially designed for analytical and scientific applications, for example leak detection, single-sided scroll design, dry compression, gas-tight, lifetime-lubricated bearings, minimal maintenance

Easy servicing

No special tools necessary, modular design for rapid exchange of stages

Quiet

Low noise and vibration levels, can be installed at workstations

Accessories

- Inlet filter, FIL 0080
- Exhaust filter and silencer
- Gas-ballast valve
- Gas-ballast adapter, dilution kit
- Four castor wheels
- Tip seal replacement kit

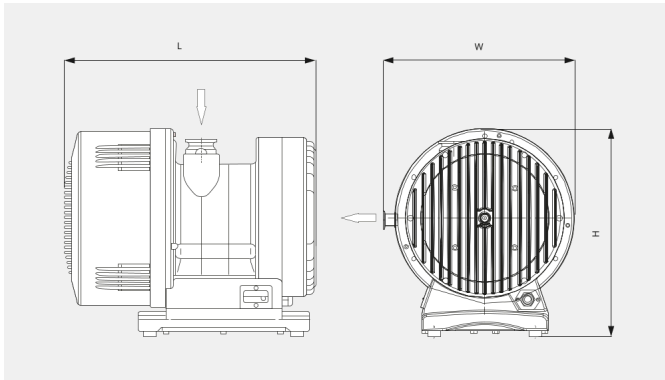
FOSSA FO 0035 B

Scroll vacuum pumps



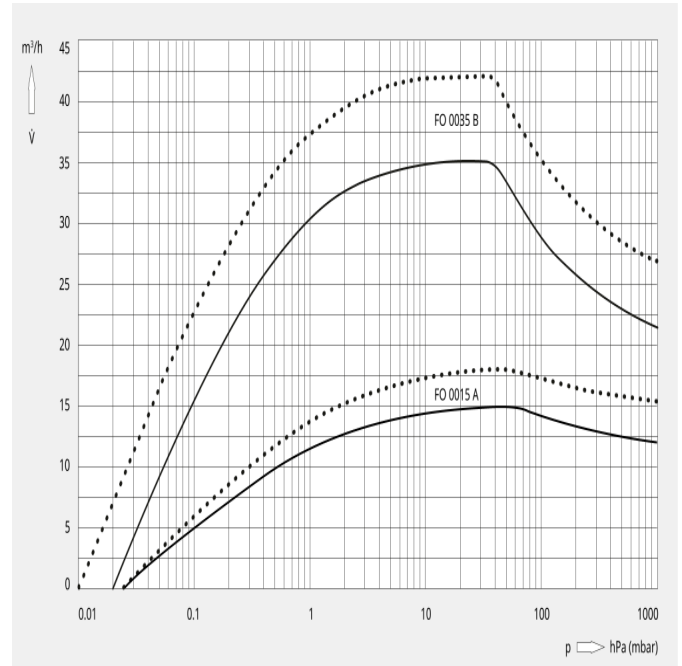
VACUUM SOLUTIONS

Dimensional drawing



Pumping speed

Air at 20 °C. Tolerance: ± 10%



The following technical values refer to ISO 50 Hz

	FO 0035 B (A)	FOSSA FO 0035 B (B)
Ambient temperature	5 – 40 °C	5 – 40 °C
Pumping speed (m³/h)	35 m³/h	35 m³/h
Pumping speed (l/min)	583 l/min	583 l/min
Ultimate total pressure (gas#ballast valve closed)	0.02 hPa (mbar)	0.02 hPa (mbar)
Ultimate total pressure (gas#ballast valve open)	0.09 hPa (mbar)	0.09 hPa (mbar)
Max. continuous inlet pressure	100 hPa (mbar)	100 hPa (mbar)
Max. back pressure	200 hPa (mbar) rel.	200 hPa (mbar) rel.
Water vapor capacity (gas#ballast valve open)	400 g/h	400 g/h
Leakage rate (helium)	< 1 · 10 ⁻⁶ mbar · l/s	< 1 · 10 ⁻⁶ mbar · l/s
Nominal motor rating	0.75 kW	0.75 kW

FOSSA FO 0035 B

Scroll vacuum pumps



	FO 0035 B (A)	FOSSA FO 0035 B (B)
Nominal motor speed	1480 min ⁻¹	1480 min ⁻¹
Operating voltage	100 – 240 V	190 – 220 / 380 – 415 V
Motor phase	Single-phase	Three-phase
Vibration level at inlet (ISO 10816#1)	Class 1B, < 1.5 mm · s ⁻¹	Class 1B, < 1.5 mm · s ⁻¹
Noise level (ISO 2151)	43 dB(A) (idle mode) / 60 dB(A) (max.) dB(A)	43 dB(A) (idle mode) / 60 dB(A) (max.) dB(A)
Weight approx.	50 kg	50 kg
Dimensions (L x W x H)	462 x 338 x 369 mm	462 x 338 x 369 mm
Gas inlet	DN 40 ISO-KF	DN 40 ISO-KF
Gas outlet	DN 16 ISO-KF	DN 16 ISO-KF
Emissions and immunity	EN 61236-1:2013 as a class A device	EN 61236-1:2013 as a class A device
Safety	EN/IEC 61010 third edition certified	EN/IEC 61010 third edition certified

The following technical values refer to ISO 60 Hz

	FO 0035 B (A)	FOSSA FO 0035 B (B)
Ambient temperature	5 – 40 °C	5 – 40 °C
Pumping speed (m ³ /h)	42 m ³ /h	42 m ³ /h
Pumping speed (l/min)	700 l/min	700 l/min
Ultimate total pressure (gas#ballast valve closed)	0.01 hPa (mbar)	0.01 hPa (mbar)
Ultimate total pressure (gas#ballast valve open)	0.09 hPa (mbar)	0.09 hPa (mbar)
Max. continuous inlet pressure	100 hPa (mbar)	100 hPa (mbar)
Max. back pressure	200 hPa (mbar) rel.	200 hPa (mbar) rel.
Water vapor capacity (gas#ballast valve open)	400 g/h	400 g/h
Leakage rate (helium)	< 1 · 10 ⁻⁶ mbar · l/s	< 1 · 10 ⁻⁶ mbar · l/s
Nominal motor rating	0.75 kW	0.75 kW
Nominal motor speed	1780 min ⁻¹	1780 min ⁻¹
Operating voltage	100 – 240 V	200 – 240 / 380 – 480 V

FOSSA FO 0035 B

Scroll vacuum pumps



	FO 0035 B (A)	FOSSA FO 0035 B (B)
Motor phase	Single-phase	Three-phase
Vibration level at inlet (ISO 10816#1)	Class 1B, < 1.5 mm · s ⁻¹	Class 1B, < 1.5 mm · s ⁻¹
Noise level (ISO 2151)	43 dB(A) (idle mode) / 60 dB(A) (max.) dB(A)	43 dB(A) (idle mode) / 60 dB(A) (max.) dB(A)
Weight approx.	50 kg	50 kg
Dimensions (L x W x H)	462 x 338 x 369 mm	462 x 338 x 369 mm
Gas inlet	DN 40 ISO-KF	DN 40 ISO-KF
Gas outlet	DN 16 ISO-KF	DN 16 ISO-KF
Emissions and immunity	EN 61236-1:2013 as a class A device	EN 61236-1:2013 as a class A device
Safety	EN/IEC 61010 third edition certified	EN/IEC 61010 third edition certified

DO YOU WANT TO KNOW MORE

Please contact us!
sales@busch.co.nz or +64 (0)800 428 724



CONTACT FORM



CALL US NOW