

# DOLPHIN VL 0530–0800 A

## Partial Recirculation

Liquid ring vacuum pump units



Discover all advantages of  
the product series DOLPHIN  
VL

### Robust

Proven technology, reliable operation, corrosion-free stainless steel impeller, extremely high vapor and particle tolerance, part of the operating fluid is recirculated, fresh liquid introduced in sufficient quantity to maintain proper temperature

### All-in-One

Unit with base frame, operating fluid separator, control system, including inlet check valve, fresh liquid supply kit, level indicator with switches, temperature and pressure indicators and cavitation protection

### Flexible

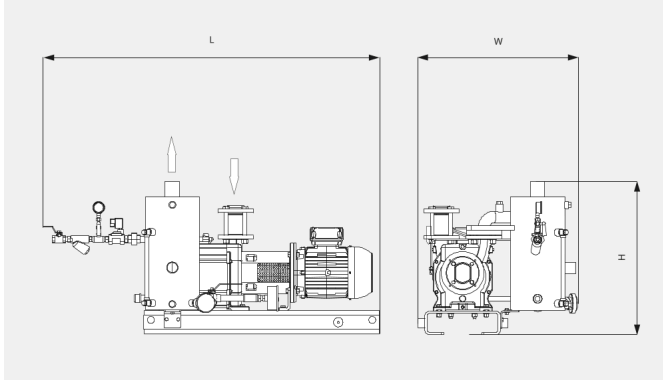
Choice of cast iron (EN-GJL-200) or 316 grade stainless steel material housings, ATEX-certified version available (Cat. 1 (i/o) IIB, T4), operating fluids other than water possible

# DOLPHIN VL 0530–0800 A Partial Recirculation

Liquid ring vacuum pump units



Dimensional drawing



The following technical values refer to ISO 50 Hz

	DOLPHIN VL 0530 A Partial Recirculation	DOLPHIN VL 0800 A Partial Recirculation
Nominal pumping speed	405 m <sup>3</sup> /h	722 m <sup>3</sup> /h
Ultimate pressure	130 hPa (mbar)	130 hPa (mbar)
Nominal motor rating	11.0 kW	18.5 kW
Weight approx. ATEX	526 kg	621 kg
Weight approx. Safe Area	450 kg	529 kg
Dimensions (L x W x H) ATEX	1564 x 936 x 1066 mm	1671 x 955 x 1243 mm
Dimensions (L x W x H) Safe Area	1521 x 870 x 947 mm	1675 x 955 x 962 mm
Gas inlet	G 2"	G 2½"
Gas outlet	R 3"	R 4"

The following technical values refer to ISO 60 Hz

	DOLPHIN VL 0530 A Partial Recirculation	DOLPHIN VL 0800 A Partial Recirculation
Nominal pumping speed	551 m <sup>3</sup> /h	867 m <sup>3</sup> /h
Ultimate pressure	130 hPa (mbar)	130 hPa (mbar)
Nominal motor rating	15.0 kW	22.0 kW
Weight approx. ATEX	526 kg	621 kg
Weight approx. Safe Area	450 kg	529 kg
Dimensions (L x W x H) ATEX	1564 x 936 x 1066 mm	1671 x 955 x 1243 mm

# DOLPHIN VL 0530–0800 A Partial Recirculation

Liquid ring vacuum pump units



	DOLPHIN VL 0530 A Partial Recirculation	DOLPHIN VL 0800 A Partial Recirculation
<b>Dimensions (L x W x H) Safe Area</b>	1521 x 870 x 947 mm	1675 x 955 x 962 mm
<b>Gas inlet</b>	G 2"	G 2½"
<b>Gas outlet</b>	R 3"	R 4"

**DO YOU WANT TO KNOW MORE**

Please contact us!  
sales@busch.co.nz or +64 (0)800 428 724



CONTACT FORM



CALL US NOW