

DOLPHIN VL 0530–0800 A

Continuous Flow

Liquid ring vacuum pump units



Discover all advantages of
the product series DOLPHIN
VL

Robust

Proven technology, reliable operation, corrosion-free stainless steel impeller, extremely high vapor and particle tolerance, automatic solenoid valve for control of operating fluid flow from main supply

All-in-One

Unit with base frame, operating fluid separator, control system, including inlet check valve, fresh liquid supply kit, level indicator (ATEX only), temperature sensor (ATEX only) and pressure indicators and cavitation protection

Flexible

Choice of cast iron (EN-GJL-200) or 316 grade stainless steel material housings, ATEX-certified version available (Cat. 1 (i/o) IIB, T4), operating fluids other than water possible

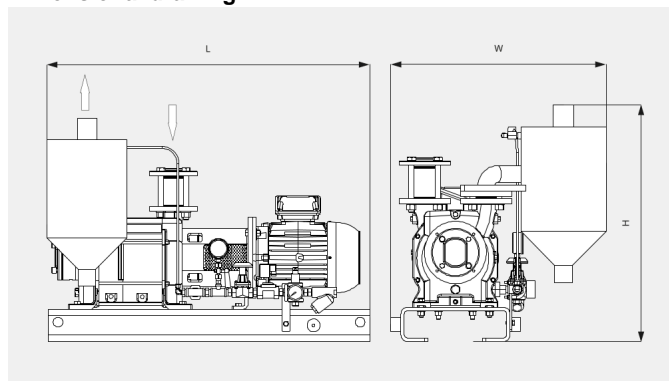
DOLPHIN VL 0530–0800 A

Continuous Flow

Liquid ring vacuum pump units



Dimensional drawing



The following technical values refer to ISO 50 Hz

	DOLPHIN VL 0530 A Continuous Flow	DOLPHIN VL 0800 A Continuous Flow
Nominal pumping speed	405 m ³ /h	722 m ³ /h
Ultimate pressure	130 hPa (mbar)	130 hPa (mbar)
Nominal motor rating	11.0 kW	18.5 kW
Weight approx. ATEX	519 kg	612 kg
Weight approx. Safe Area	451 kg	518 kg
Dimensions (L x W x H) ATEX	1507 x 860 x 1067 mm	1676 x 1054 x 1184 mm
Dimensions (L x W x H) Safe Area	1383 x 815 x 854 mm	1501 x 875 x 932 mm
Gas inlet	G 2"	G 2½"
Gas outlet	R 3"	R 4"

The following technical values refer to ISO 60 Hz

	DOLPHIN VL 0530 A Continuous Flow	DOLPHIN VL 0800 A Continuous Flow
Nominal pumping speed	551 m ³ /h	867 m ³ /h
Ultimate pressure	130 hPa (mbar)	130 hPa (mbar)
Nominal motor rating	15.0 kW	22.0 kW
Weight approx. ATEX	519 kg	612 kg
Weight approx. Safe Area	451 kg	518 kg
Dimensions (L x W x H) ATEX	1507 x 860 x 1067 mm	1676 x 1054 x 1184 mm

DOLPHIN VL 0530–0800 A Continuous Flow

Liquid ring vacuum pump units



	DOLPHIN VL 0530 A Continuous Flow	DOLPHIN VL 0800 A Continuous Flow
Dimensions (L x W x H) Safe Area	1383 x 815 x 854 mm	1501 x 875 x 932 mm
Gas inlet	G 2"	G 2½"
Gas outlet	R 3"	R 4"

DO YOU WANT TO KNOW MORE

Please contact us!
sales@busch.co.nz or +64 (0)800 428 724



CONTACT FORM



CALL US NOW