

# DOLPHIN VL 0430–0750 A

## Continuous Flow

Liquid ring vacuum pump units



Discover all advantages of the product series DOLPHIN VL

### Robust

Proven technology, reliable operation, corrosion-free stainless steel impeller, extremely high vapor and particle tolerance, automatic solenoid valve for control of operating fluid flow from main supply

### All-in-One

Unit with base frame, operating fluid separator, control system, including inlet check valve, fresh liquid supply kit, level indicator (ATEX only), temperature sensor (ATEX only) and pressure indicators and cavitation protection

### Flexible

Choice of cast iron (EN-GJL-200) or 316 grade stainless steel material housings, ATEX-certified version available (Cat. 1 (i/o) IIB, T4), operating fluids other than water possible

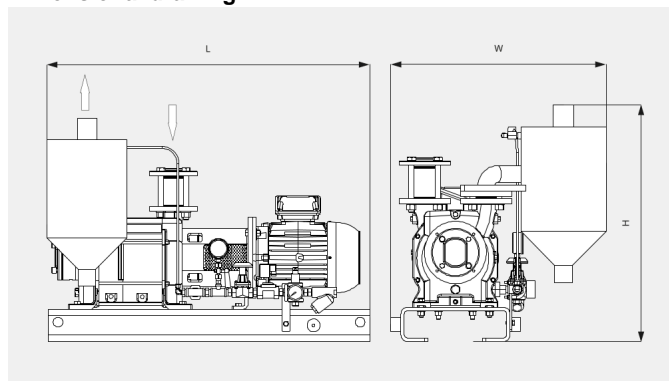
# DOLPHIN VL 0430–0750 A

## Continuous Flow

Liquid ring vacuum pump units



Dimensional drawing



The following technical values refer to ISO 50 Hz

	DOLPHIN VL 0430 A Continuous Flow	DOLPHIN VL 0510 A Continuous Flow	DOLPHIN VL 0630 A Continuous Flow	DOLPHIN VL 0750 A Continuous Flow
<b>Nominal pumping speed</b>	340 m <sup>3</sup> /h	430 m <sup>3</sup> /h	498 m <sup>3</sup> /h	600 m <sup>3</sup> /h
<b>Ultimate pressure</b>	33 hPa (mbar)	33 hPa (mbar)	33 hPa (mbar)	33 hPa (mbar)
<b>Nominal motor rating</b>	11.0 kW	11.0 kW	15.0 kW	18.5 kW
<b>Weight approx. ATEX</b>	509 kg	539 kg	567 kg	683 kg
<b>Weight approx. Safe Area</b>	398 kg	444 kg	533 kg	585 kg
<b>Dimensions (L x W x H) ATEX</b>	1559 x 927 x 1067 mm	1619 x 927 x 1067 mm	1734 x 1054 x 1184 mm	1826 x 1054 x 1184 mm
<b>Dimensions (L x W x H) Safe Area</b>	1387 x 815 x 854 mm	1447 x 815 x 854 mm	1646 x 875 x 932 mm	1651 x 875 x 932 mm
<b>Gas inlet</b>	G 2"	G 2"	G 2½"	G 2½"
<b>Gas outlet</b>	R 3"	R 3"	R 4"	R 4"

The following technical values refer to ISO 60 Hz

	DOLPHIN VL 0430 A Continuous Flow	DOLPHIN VL 0510 A Continuous Flow	DOLPHIN VL 0630 A Continuous Flow	DOLPHIN VL 0750 A Continuous Flow
<b>Nominal pumping speed</b>	419 m <sup>3</sup> /h	515 m <sup>3</sup> /h	574 m <sup>3</sup> /h	710 m <sup>3</sup> /h
<b>Ultimate pressure</b>	33 hPa (mbar)	33 hPa (mbar)	33 hPa (mbar)	33 hPa (mbar)
<b>Nominal motor rating</b>	15.0 kW	15.0 kW	22.0 kW	30.0 kW
<b>Weight approx. ATEX</b>	509 kg	539 kg	567 kg	683 kg

# DOLPHIN VL 0430–0750 A

## Continuous Flow

Liquid ring vacuum pump units



	DOLPHIN VL 0430 A Continuous Flow	DOLPHIN VL 0510 A Continuous Flow	DOLPHIN VL 0630 A Continuous Flow	DOLPHIN VL 0750 A Continuous Flow
<b>Weight approx. Safe Area</b>	398 kg	444 kg	533 kg	585 kg
<b>Dimensions (L x W x H) ATEX</b>	1559 x 927 x 1067 mm	1619 x 927 x 1067 mm	1734 x 1054 x 1184 mm	1826 x 1054 x 1184 mm
<b>Dimensions (L x W x H) Safe Area</b>	1387 x 815 x 854 mm	1447 x 815 x 854 mm	1646 x 875 x 932 mm	1651 x 875 x 932 mm
<b>Gas inlet</b>	G 2"	G 2"	G 2½"	G 2½"
<b>Gas outlet</b>	R 3"	R 3"	R 4"	R 4"

### DO YOU WANT TO KNOW MORE

Please contact us!  
sales@busch.co.nz or +64 (0)800 428 724



CONTACT FORM



CALL US NOW